



TYPE LC: 800 through 1200 Amperes

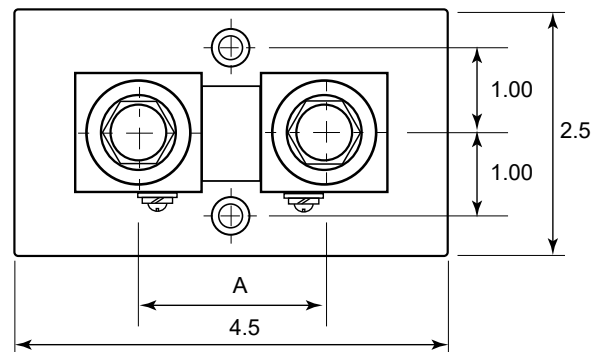
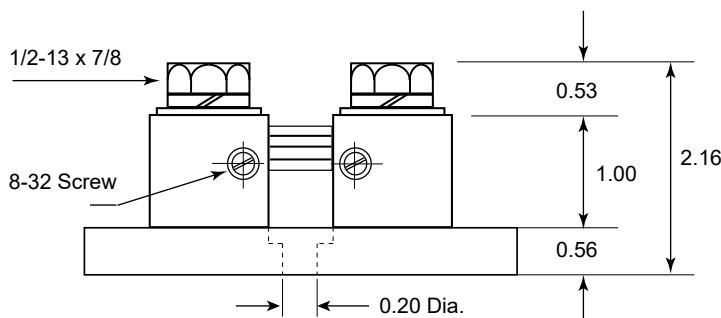
Specifications

Current Rating 800 to 1200 amps.
50 mV, 100 mV or Custom Output.

1/2-13 x 7/8 Brass Connections with Lock Washers.
8-32 Screws provide wire terminal connection.

TYPE LC 50 mV	TYPE LC 100 mV
LC-800-50, 800 Amp	LC-800-50, 800 Amp
LC-1000-50, 1000 Amp	LC-1000-100, 1000 Amp
LC-1200-50, 1200 Amp	LC-1200-100, 1200 Amp

Dimensions



Dimensions subject to change without notice.
Tolerances $\pm .015$ for the hole diameters.
Other tolerances $\pm .030$ unless specified.