



# HVPI-24 Series

## 3.5 Digit LCD Panel Meter



### Specifications

#### Display

Digits: 3 ½ digits (±19999 counts)  
 Type: 1" (24.9 mm) 7 segment high contrast LCD  
 Polarity: automatic, "-" displayed  
 Annunciators: °F, °C, PSI, %, user-selectable or V, A, KW, PF  
 Decimal Points: 3 position, user-selectable  
 Overrange: three lower order digits blank for inputs >1999 & < -1999

#### Inputs

Ranges: 5 V, 10 V adjustable, 200mV fixed  
 Configuration: single ended

#### Performance

Accuracy: ±(0.05% of full scale + 1 count)  
 Conversion Rate: 3 per second  
 Normal Mode Rejection: >30 dB @ 60 Hz  
 Adjustments: 25 turn potentiometers  
 Warmup: 10 minutes typical  
 Temperature Coeff.: ± 100 ppm per °C typical  
 Offset Range: -1999 to +1999  
 Gain Range: 1 to 1999 (custom ranges available)

#### Environment

Operating Range: -10 to 50 °C  
 Storage Range: -40 to 75 °C

#### Power Supply

12/24 DC

#### Mounting

snap-in panel mount

#### Connection

screw terminals



### Large 1" - 3½ Digit AC/DC Powered, Voltage Controlled LCD DPM

#### Features

- Large 1", 3½ digit display for easy viewing..
- User-selectable decimal points.
- User-selectable engineering units.
- Optional AMBER, GREEN, RED or BLUE backlit LCD.
- Wide ZERO (Offset) & SPAN (Gain) adjustment.
- Standard 1/8 DIN package.
- Snap-in panel mounting.

#### Ordering Information

SNAP-IN:

Part Number	Backlight Color	Meter Input	Backlight Power
VPI-24*AC	NO BACKLIGHT	Voltage	24VAC/DC
VPI-A24*AC	AMBER	Voltage	24VAC/DC
VPI-B24*AC	BLUE	Voltage	24VAC/DC
VPI-C24*AC	GREEN	Voltage	24VAC/DC
VPI-R24*AC	RED	Voltage	24VAC/DC

\*Add (P) for Power Engineering Units V, A, KW, PF

#### ACCESSORIES

CVC Calibrator

**Hoyt Electrical Instrument Works, Inc.**

Phone: (800) 258-3652  
 Fax: (603) 753-9592  
 Email: sales@hoytmeter.com

[www.hoytmeter.com](http://www.hoytmeter.com)

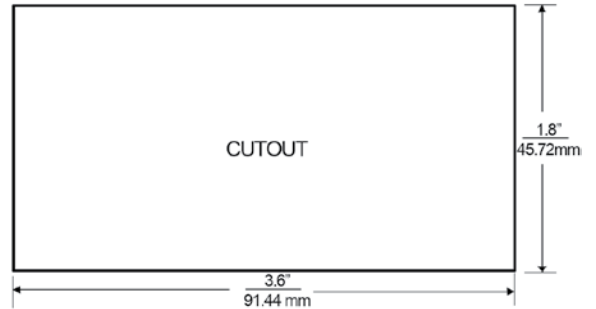
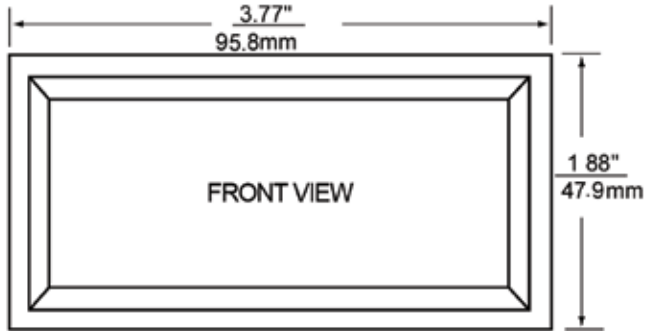
23 Meter Street  
 Penacook, NH 03303



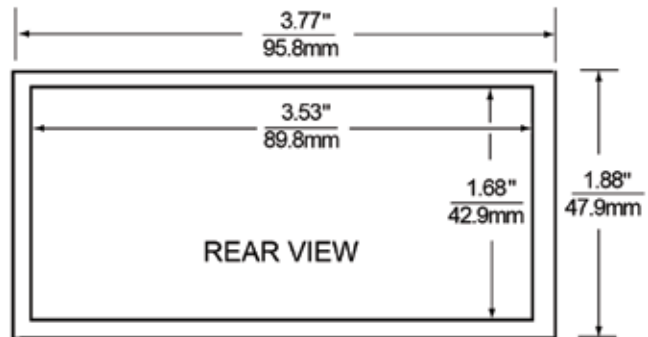
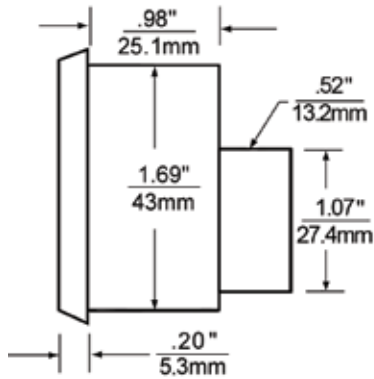
# HVPI-24 Series

## 3.5 Digit LCD Panel Meter

### Dimensions



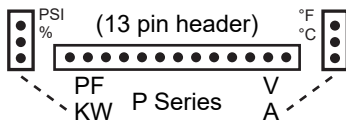
Inches  
mm



### Wiring

#### Lower Board

LCD ONLY: To enable annunciators



#### Upper Board

