



# HDMO-3xx Series

## 3.5 Digit LED Panel Meter



### 3½ Digit LED Display for voltage inputs

#### Specifications

##### Display

Digits: 3 ½ digits (±1999 counts)  
 Type: 7- segment LED (red or green)  
 Digit Height: .56 in (14.2 mm)  
 Polarity Indication: Automatic "-" for neg input  
 Decimal Point: 3 position selectable  
 Overrange: Three lower order digits blank for inputs >1999 & < -1999

##### Inputs

Configuration: bipolar, differential  
 Full-Scale Input: ±200 mV, ±2 V, ±20 V  
 Input Offset Adjustment: Auto zero  
 Input Impedance: >100 MΩ (±200 mV),  
 -1 MΩ (other ranges)  
 Common Mode Range: ±1 VDC  
 Common Mode Rej: >86 dB  
 Protection: ±350 VDC  
 (±100 VDC for 200 mV range)  
 Input Bias Current: 1 pA typical, 100 pA max  
 Control Inputs: Decimal point select,  
 span adjust trimpot

##### Performance

Sampling Rate: 3.3 readings / s  
 Accuracy: ± (0.1% + 2 counts) typical  
 ±(0.2% + 2 counts) max  
 Warmup: 10 minutes typical  
 Temperature Coeff.: ± 100 ppm per °C typical

##### Power Supply

Supply Voltage: +5 VDC ±5%  
 Supply Current, typical: 200 mA

##### Environment

Operating Temperature: 0 to 50°C  
 Storage Temperature: -10 to 60°C  
 Relative Humidity: 0 to 95% non-condensing

##### Physical

Package Style: Window mount  
 Dimensions: 2.52 x 1.10 x .73  
 Panel Cutout: 2.05 x .81  
 Weight: 0.7 oz (20 g)  
 Bezel: Optional

##### Connection

Connector: 10 pin  
 J1C-10 or C10-5 optional

#### Features

- 3½ digits with 0.56" RED or GREEN LED.
- Window mount with optional bezel.
- User-selectable decimal points.

#### Ordering Information

Part #	Meter Color	Meter Power
HDMO-35HR	RED	200mV DC
HDMO-36HR	RED	2V DC
HDMO-37HR	RED	20V DC
HDMO-35G	GREEN	200mV DC
HDMO-36G	GREEN	2VDC
HDMO-37G	GREEN	20VDC
3XEC		NEMA Enclosure

#### Accessories

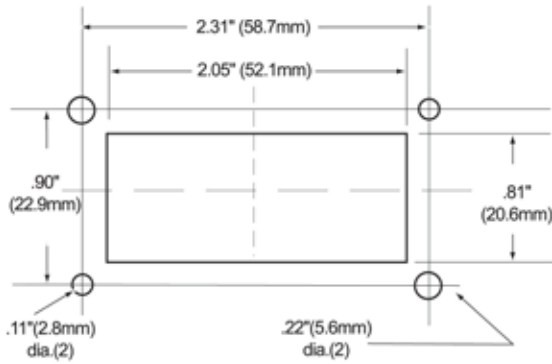
LED-B	Optional Bezel Mounting Kit
C10-5	5" - 10 Pin Connector / Wire Assembly
J1C10	12" - 10 Pin Connector / Wire Assembly
PW2-5	Regulated 120V AC to 5V DC Power Supply
CVC	Calibrator



# HDMO-3xx Series

## 3.5 Digit LED Panel Meter

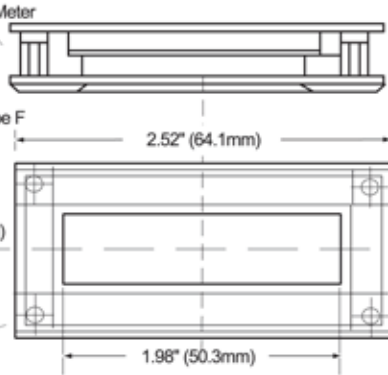
### Dimensions



Top View  
Digital Panel Meter

2-56 UNC Type F  
self-tapping  
screw  
installed  
from rear  
(2ea. provided)

Front View of  
Digital Panel Meter

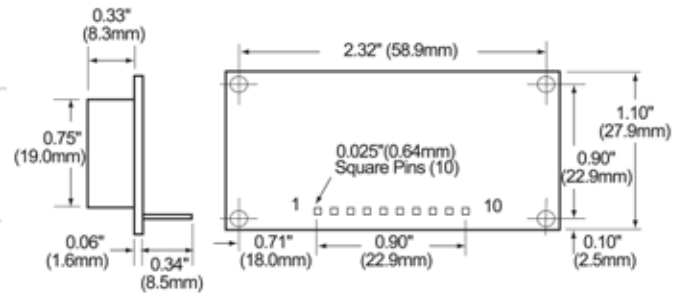
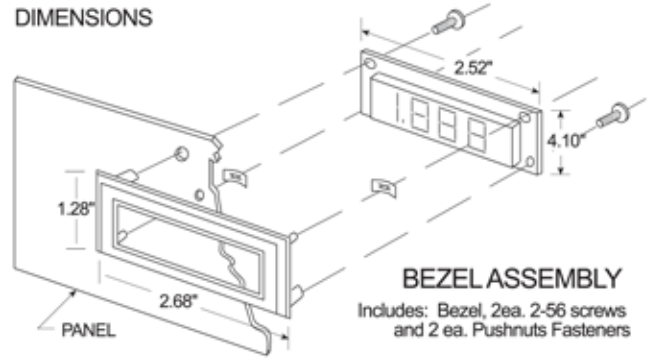


Pushnut  
Fastener  
mounted  
from rear  
(2 ea.)

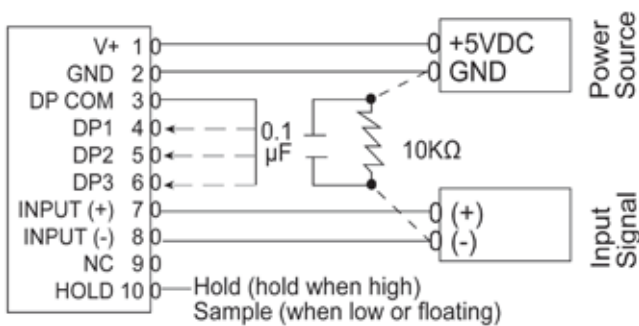
Side View

Panel  
Thickness  
→ .12" max.

### DIMENSIONS



### Wiring & Calibration



Pin #	Pin Name	Description
1	V+	+5V Power Supply
2	GND	Power Supply Ground
3	DP COM	Decimal Point Return
4	DP1	1XX.X (Connect To Dp Com To Turn On)
5	DP2	1X.XX (Connect To Dp Com To Turn On)
6	DP3	1.XXX (Connect To Dp Com To Turn On)
7	INPUT(+)	Positive Input Signal
8	INPUT(-)	Negative Input Signal
9	NC	No Connection Required
10	NC	No Connection Required