



CC-1 Capillary Clip

Digital Panel Meter



Description & Features

- Hold three different sizes of capillary tubing: 1/8", 1/4" or 3/8".
- Slots for tie anchors.
- Inside tapered ridges allow tubing to be snapped in place.
- Mounting in either horizontal or vertical planes.
- Corner slot accepts 1/4" sensors.
- Clips can be separated into two parts:
 - Use one as a capillary mounting clip.
 - The other part can be used as a sensor mounting bracket.
- Plenum rated, class 94V-2 nylon.
- Available in Natural, Grey, Black, Beige & White.

Dimensions

- Overall: 2"W x 1/2"D
- Capillary Tube Openings: 1/8", 1/4" & 3/8"
- Sensor / Tube Opening 1/4"

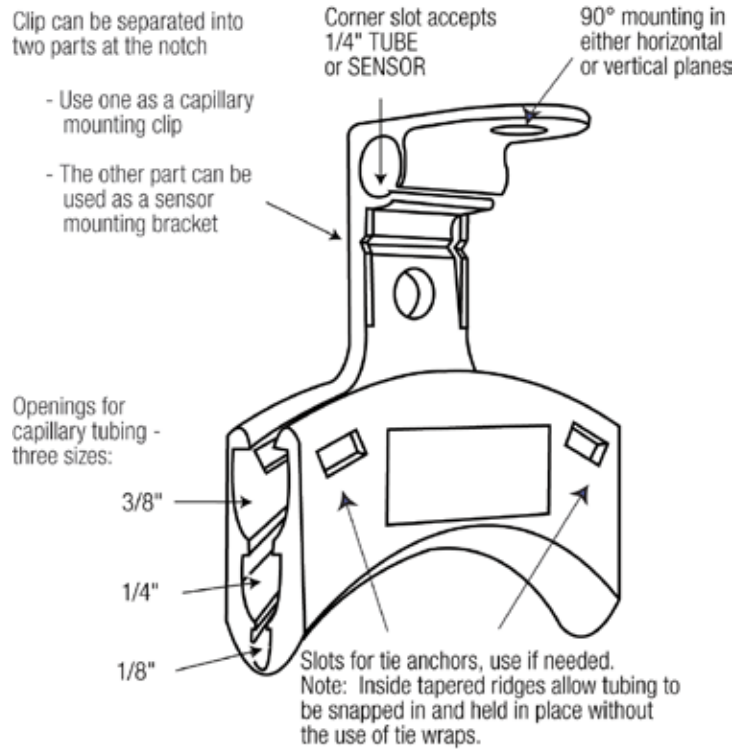
Ordering Information

Part Number	Color
HCC1-N	Natural
HCC1-G	Grey
HCC1-BK	Black
HCC1-B	Beige
HCC1-B-NL	Beige, no Logo
HCC1-W-NL	White, no Logo

Custom colors and logos available (10,000 piece minimum)



Sturdy design replaces old copper "One size only" clips



Dimensions

