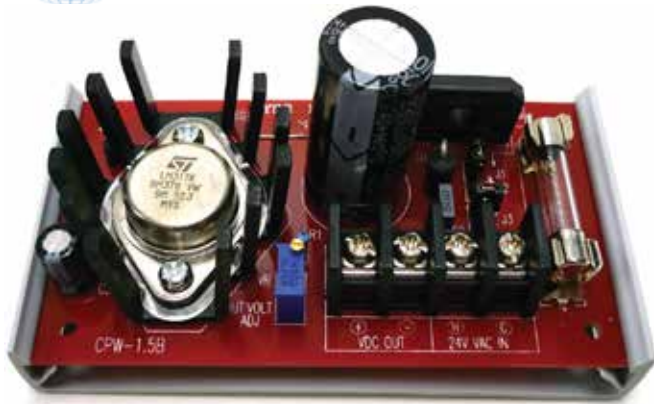




HPW1.5 DC Power Supply

Digital Panel Meters



The PW 1.5 is a regulated 1.5 amp power supply that accepts 24 VDC/VAC and provides an adjustable 1.5 to 29VDC output. Field voltage adjustments may be made using only a screwdriver. The power supply is provided with a mounting track for easy installation.

Features

- Low cost
- Regulated DC output
- Snap-track mounted
- Screw terminals with pressure plates.

Specifications

Voltage

Input : 24 VAC, 50/60 Hz
 Output: 24 VDC (full wave rectified and regulated) adjustable 1.5 V - 27 VDC

Output Current: 1.5 amps (with 75 VA transformer)
 Temperature Stability: 1%
 Over-current Protection: 3 amp fuse

General

Operating Temperature: 0 to 55°C (32 to 130°F)
 Max. Humidity: 95% RH, noncondensing
 Weight: 0.4 lb.
 Mounting: snap-track included.

Output Current:

To prevent overheating the PW1.5 power supply, the output current must not exceed the ratio of the output voltage to the input voltage times the rated current.

Example: For an output voltage set to 5VDC the output current should not exceed 313 mA. $5V / 24V \times 1.5A = 0.313A$

Isolation:

If the DC ground is connected to the AC ground the fuse will open. If the AC and DC circuit grounds cannot be isolated move the shorting jumper from J1 to J2 and add a shorting jumper to J3. In this case the maximum output current is reduced to 400mA.

Ordering Information

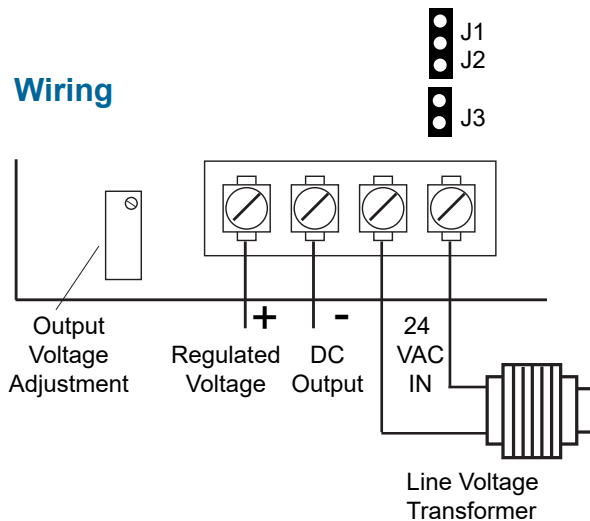
Part Number

PW1.5 DC

Power Supply



Wiring

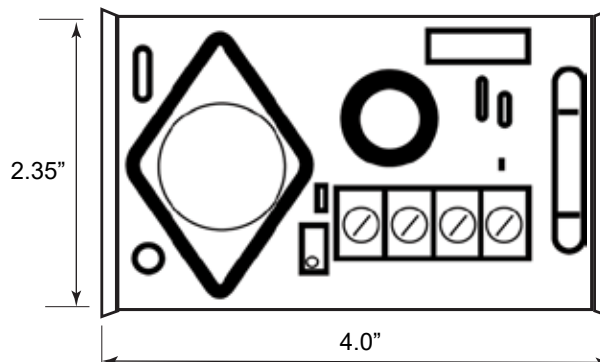


Dimensions

Side View
(track included)



Top View
(track included)



Hoyt Electrical Instrument Works, Inc.

23 Meter Street
 Penacook, NH 03303

Phone: (800) 258-3652
 Fax: (603) 753-9592
 Email: sales@hoytmeter.com

www.hoytmeter.com