



Models 17/3VU, 582VU

Analog VU Panel Meters



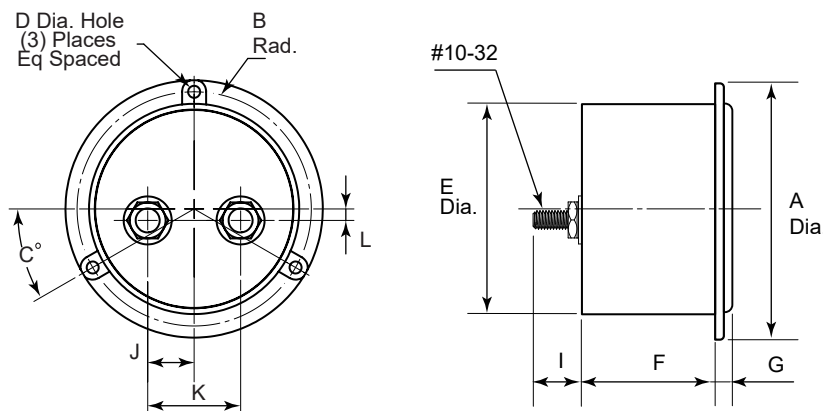
2.5" - 17/3 VU

3.5" - 582 VU

Specifications

Accuracy:	±2% full scale value.
Resistance:	Designed to read zero VU or 100% with 1.228 volts applied to the instrument and the 3600 ohm series resistance; this represents 4 DB above 1 milliwatt in 600 ohms.
Dials:	100 degree arc, black lettering on white or buff background.
Scale:	Type "A" Scale reads "-20 to +3" in type on the top of the arc, with "0-100" on the bottom of the arc in type. Type "B" Scale reads "0-100" in type on the top of the arc, with "-20 to +3" in type on the bottom of the arc.
Pointer:	Knife Edge.
Movement:	Pivot and Jewel.
Mounting:	Surface mount.
Case:	ABS.
Operating Temperature:	32°F to 104°F (0°C to 40°C).
Storage Temperature:	-4°F to 131°F (-20°C to 55°C).
Relative Humidity:	20% to 80%RH (Nominal Use).
Meter Approvals:	ANSI C39.1.
Origin:	Made in USA

Dimensions



Models	A	B	C	D	E	F	G	H	I	J	K	L
17/3 VU	2.69	1.22	30	0.12	2.20	1.38	0.20	10-32	0.50	0.48	0.97	0.00
582 VU	3.50	1.58	30	0.14	2.75	1.39	0.26	10-32	0.50	0.48	0.97	0.25