



Model HST-110

Analog Panel Meters



4.5" HST-110

Features

Case and Composition: Acrylic resin front and Bakelite case.
Four studs mounting.

Accuracy: Moving coil type: Class 2.0
Moving Iron type: Class 2.5
Rectifier type: Class 2.0

Color: Black case and white scale plate.

Pointer: Tube or knife-type, color in black or red.

HZ Meter

Measuring Ranges : 45-65Hz, 45-55Hz, 55-65Hz

Rated Voltage : 110V, 220V

Accuracy : Class 2.0

Measuring Ranges

Moving Coil Type

DC μ A	DC mA	DC A	DC mV	DC V
50	1 200	1	50	3 200
100	5 250	5	60	5 300
150	10 300	10	100	10 500
200	15 500	20	500	20 600
250	20 800	30		30
300	30			50
500	100			100
800	150			150

Moving Iron Type

AC mA	AC A	AC V
50	1	150
100	5	250
150	10	300
200	15	500
250	20	
300	30	
500	50	
800		

Rectifier Type

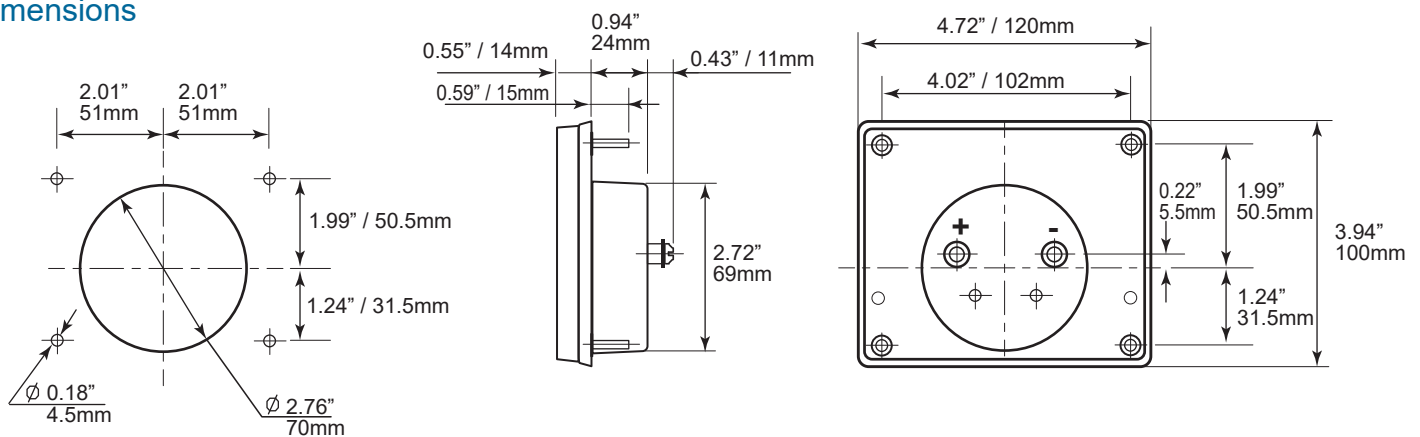
AC V
30
50
100
150
200
300
500

HZ Meter

HZ
45-65
45-55
55-65

■ DC up to 50A, AC up to 50A
Consult Hoyt for other measuring ranges and scales

Dimensions



Panel Cut-Out

Hoyt Electrical Instrument Works, Inc.

23 Meter Street
Penacook, NH 03303

Phone: (800) 258-3652

Fax: (603) 753-9592

Email: sales@hoytmeter.com

www.hoytmeter.com