



# Model HST-70P

## Analog Panel Meters



3" HST-70P

### Features

Case and Composition: Acrylic resin front.  
ABS case.  
Four studs mounting.

Accuracy: Moving coil type: Class 2.0  
Moving Iron type: Class 2.5  
Rectifier type: Class 2.0

Color: Black case and white scale plate.

Pointer: Tube type, color in black or red.

### Hz Meter

Measuring Ranges : 45-65Hz, 45-55Hz, 55-65Hz

Rated Voltage : 110V, 220V

Accuracy : Class 2.0

### Measuring Ranges

#### Moving Coil Type

DC uA	DCmA	DC A	DC mV	DC V
50	1 250	1	50	3 150
100	5 300	5	60	5 200
150	10 500	10	100	10 300
200	15 800	20	500	15 500
250	50	30		20 600
300	100	50		30
500	150			50
800	200			100

#### Moving Iron Type

AC mA	AC A	AC V
50	1	150
100	5	250
150	10	300
200	15	500
250	20	
300	30	
500	50	
750		

#### Rectifier Type

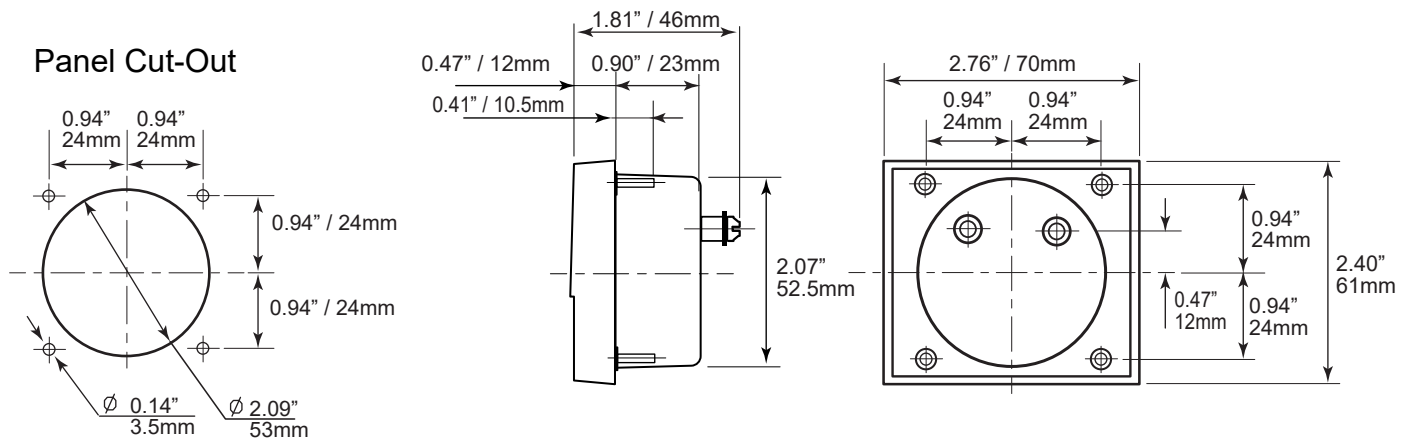
AC V
30
50
100
150
200
300
500

#### HZ Meter

HZ
45-65
45-55
55-65

■ DC up to 15A, AC up to 30A  
Consult Hoyt for other measuring ranges and scales

### Dimensions



**Hoyt Electrical Instrument Works, Inc.**

Phone: (800) 258-3652

Fax: (603) 753-9592

Email: sales@hoytmeter.com

[www.hoytmeter.com](http://www.hoytmeter.com)

23 Meter Street  
Penacook, NH 03303