



Model HST-38N

Analog Panel Meters



2" HST-38N

Features

Case and Composition: Acrylic resin front.
ABS case.
Two studs mounting.

Accuracy: Moving coil type: Class 2.0
Moving Iron type: Class 2.5
Rectifier type: Class 2.0

Color: Black case and white scale plate.

Pointer: Tube type, color in black or red.

HZ Meter

Measuring Ranges: 45-65Hz, 45-55Hz, 55-65Hz

Rated Voltage: 110V, 220V

Accuracy: Class 2.0

Measuring Ranges

Moving Coil Type

DC μ A	DCmA	DC A	DC mV	DC V
50	1 250	1	50	3 150
100	5 300	5	60	5 200
150	10 500	10	100	10 300
200	15 800	20	500	15 500
250	50	30		20 600
300	100	50		30
500	150			50
800	200			100

Moving Iron Type

AC mA	AC A	AC V
50	1	150
100	5	250
150	10	300
200	15	500
250	20	
300	30	
500	50	
750		

Rectifier Type

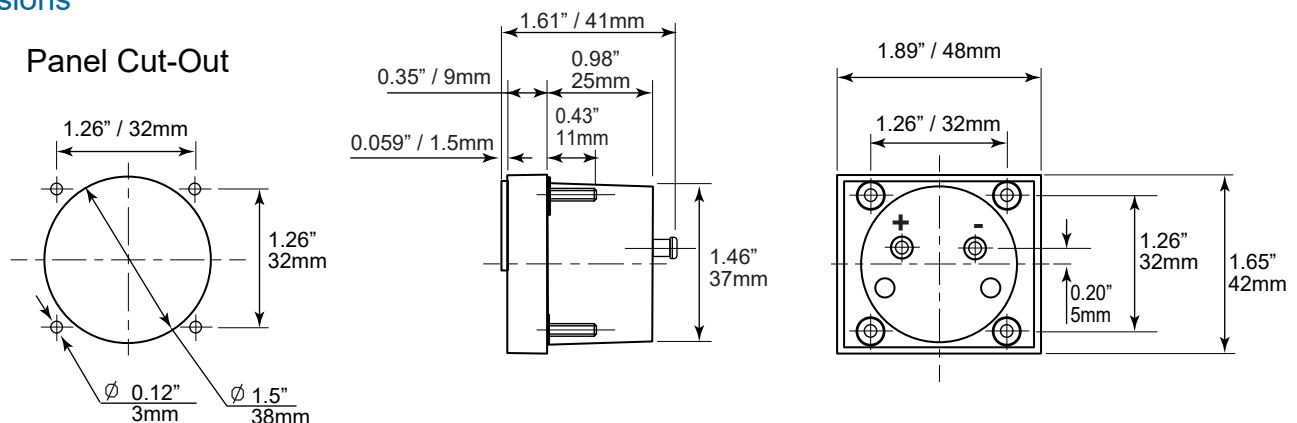
AC V
30
50
100
150
200
300
500

HZ Meter

HZ
45-65
45-55
55-65

■ DC up to 15A
Consult Hoyt for other measuring ranges and scales

Dimensions



Hoyt Electrical Instrument Works, Inc.

23 Meter Street
Penacook, NH 03303

Phone: (800) 258-3652

Fax: (603) 753-9592

Email: sales@hoytmeter.com

www.hoytmeter.com