



H7M Series

3.5 Digit LCD Panel Meter



Miniature Window Mount 3½ Digit LCD

Specifications

Display

Digits: 3 ½ digits (±1999 counts)
 Type: 7 segment backlit LCD
 Polarity: automatic, "-" displayed
 Decimal Points: 3 position, user-selectable
 Overrange: three lower order digits blank for inputs >1999

Inputs

Ranges: 200 mV, 2 V
 Protection: 100 V on 200 mV, 250 V on 2 V
 Impedance: 100 MΩ on 200 mV, 1 MΩ on 2 V

Performance

Accuracy: ±(0.1% of F.S. +1 count)
 Conversion Rate: 2.5 per second
 Normal Mode Rejection: >30 dB @ 60Hz.
 Common Mode Range: ±1Vdc
 Common Mode Rej.: >86 dB
 Zero Adjustment: automatic
 Warmup: 10 minutes typical
 Temperature Coeff.: ±100 ppm per °C typical

Environment

Operating Range: 0 to 60 °C
 Storage Range: -20 to 70 °C

Power Supply

Backlight OFF: +5 V (+4.75 VDC to +5.5 VDC)
 @ 500 μA typical ±5 V or
 +9V +7.2 VDC to 12 VDC) @ 250 μA typical
 Backlight ON: +5 V @ 60 mA typical
 ±5 V or +9 V @ 20 mA typical
Note: Backlight current can be reduced by adding an external resistor between BL and V-.

Mounting Window mount / Bezel mount (optional)

Connection 13 pins

Features

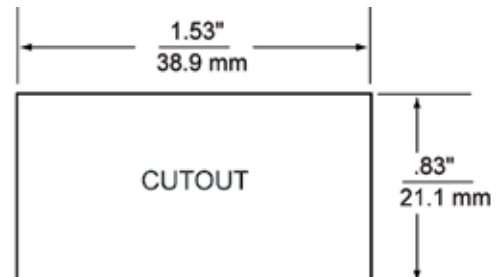
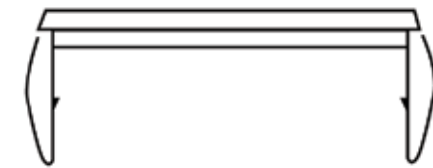
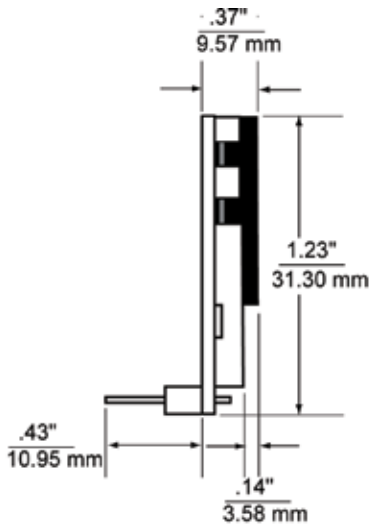
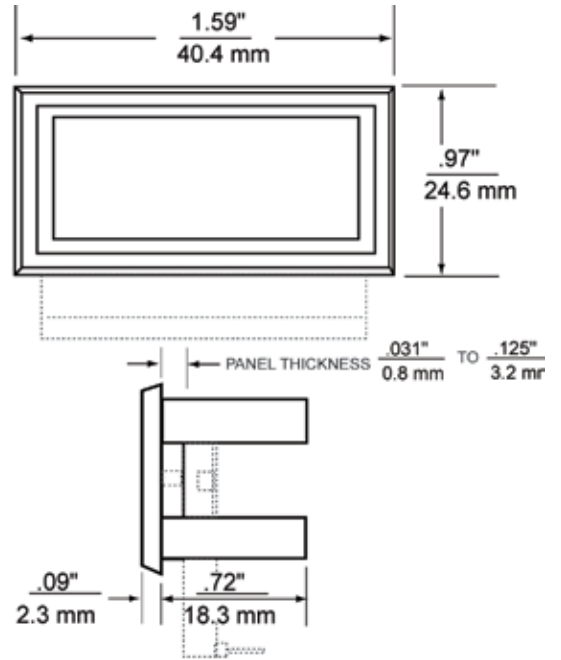
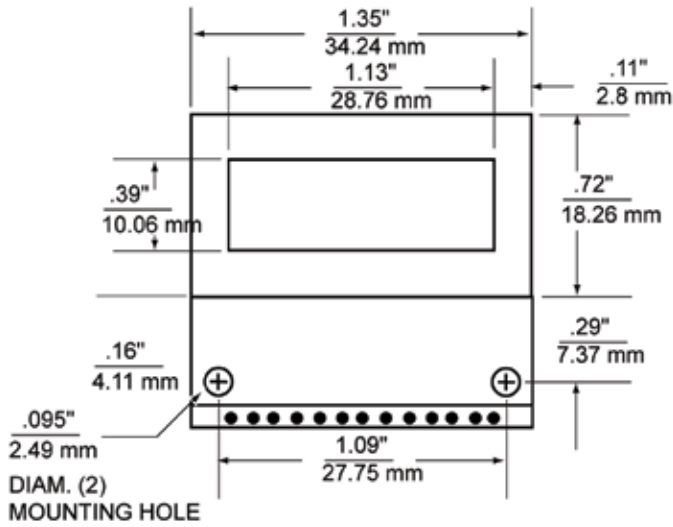
- Low-cost.
- Window mount.
- Ultra-thin space-saving design: only 0.8" deep including connector.
- Occupies less than 1.3 X 0.7 inches of front panel space.
- 3½ digits with high-contrast LCD.
- Choice of positive or negative RED or GREEN.
- Low power.

Accessories

HPW2-5	Regulated 120V AC to 5V DC Power Supply
HPW2-12	Regulated 120V AC to 12V DC Power Supply
H7M-BEZ	Optional bezel
HCVC	Calibrator



Dimensions





Ordering Information

Part Number	Backlight Color	Meter Input	Meter Power
H7M2041	POS GREEN	200mV	+5VDC
H7M2055	POS GREEN	200mV	±5VDC
H7M2099	POS GREEN	200mV	+9V
H7M2141	POS GREEN	2V	+5VDC
H7M2155	POS GREEN	2V	±5VDC
H7M2199	POS GREEN	2V	+9V
H7M4041	NEG GREEN	200mV	+5VDC
H7M4055	NEG GREEN	200mV	±5VDC
H7M4099	NEG GREEN	200mV	+9V
H7M4141	NEG GREEN	2V	+5VDC
H7M4155	NEG GREEN	2V	±5VDC
H7M4199	NEG GREEN	2V	+9V
H7M6041	NEG RED	200mV	+5VDC
H7M6055	NEG RED	200mV	±5VDC
H7M6099	NEG RED	200mV	+9V
H7M6141	NEG RED	2V	+5VDC
H7M6155	NEG RED	2V	±5VDC
H7M6199	NEG RED	2V	+9V
H7M7041	POS RED	200mV	+5VDC
H7M7055	POS RED	200mV	±5VDC
H7M7099	POS RED	200mV	+9V
H7M7141	POS RED	2V	+5VDC
H7M7155	POS RED	2V	±5VDC
H7M7199	POS RED	2V	+9V

Jumper Selection & Wiring

- PIN # PIN NAME DESCRIPTION
- 1 DP COM CONNECT TO SELECTED DECIMAL POINT
 - 2 DP1 DP XXX.X
 - 3 DP2 DP XX.XX
 - 4 DP COM CONNECT TO SELECTED DECIMAL POINT
 - 5 DP3 DP X.XXX
 - 6 INHI INPUT SIGNAL HI
 - 7 INLO INPUT SIGNAL LO
 - 8 V+ +5 VOLT POWER, +9 VOLT POWER
 - 9 BL CONNECT TO V- FOR BACKLIGHTING
 - 10 V- -5 VOLT POWER, GROUND FOR 5V OR 9V POWER
 - 11 AG CONNECT TO INLO FOR ISOLATED OPERATION
 - 12 NC NO CONNECTION REQUIRED
 - 13 NC NO CONNECTION REQUIRE

