



HDMO-800 Series

3.5 Digit LCD Panel Meter



3½ Digit LCD

Specifications

Display

Digits: 3 ½ digits (±1999 counts)
 Type: 1" (24.9 mm) high contrast LCD
 Polarity: automatic, "-" displayed
 Annunciators: PSI, °F, °C, % user-selectable
 Decimal Points: 3 position, user-selectable
 Overrange: three lower order digits blank for inputs
 >1999 & < -1999

Inputs

Ranges: ±200.0 mV, ±2.000 V, ±20.00 VDC
 Configuration: bipolar, differential
 Protection: ±350 VDC, (±100 VDC on 200 mV range)
 Impedance: >1 MΩ, (>10 MΩ on 200 mV range)

Performance

Accuracy: ±(0.05% FS +1 counts)
 Conversion Rate: 3 per second
 Normal Mode Rejection: >30 dB @ 60 Hz
 Common Mode Range: ±1 VDC
 Common Mode Rej.: >86 dB
 Zero Adjustment: automatic
 Warmup: 10 minutes typical
 Temperature Coeff.: ± 100 ppm per °C typical

Environment

Operating Range: -10 to 50 °C
 Storage Range: -10 to 75 °C

Power Supply

5V powered: +5 VDC (±5%) 3 mA @ 5 V

Mounting

snap-in panel mount
 or clamp and gasket (included)

Connection

13 pin male connection

Features

- Large, 1", 3 1/2 digit display.
- Standard 1/8 DIN package.
- User-selectable decimal points.
- User-selectable engineering units.
- Snap-in panel mounting - no tools or hardware required.
- 13-pin connector / wiring harness included.
- Gasket and clamp provided for NEMA 4, NEMA 12, & IP66 applications.

Ordering Information

Part Number	Meter Input
HDMO-801	200mV
HDMO-802	2V
HDMO-803	20V

Accessories

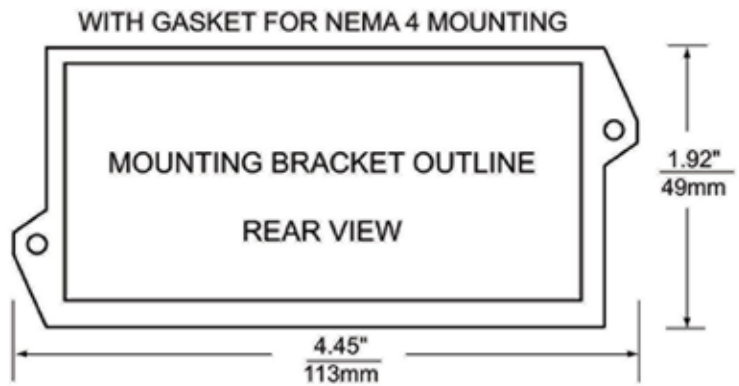
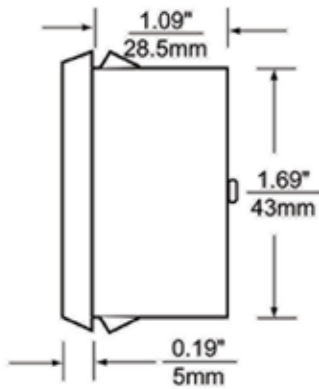
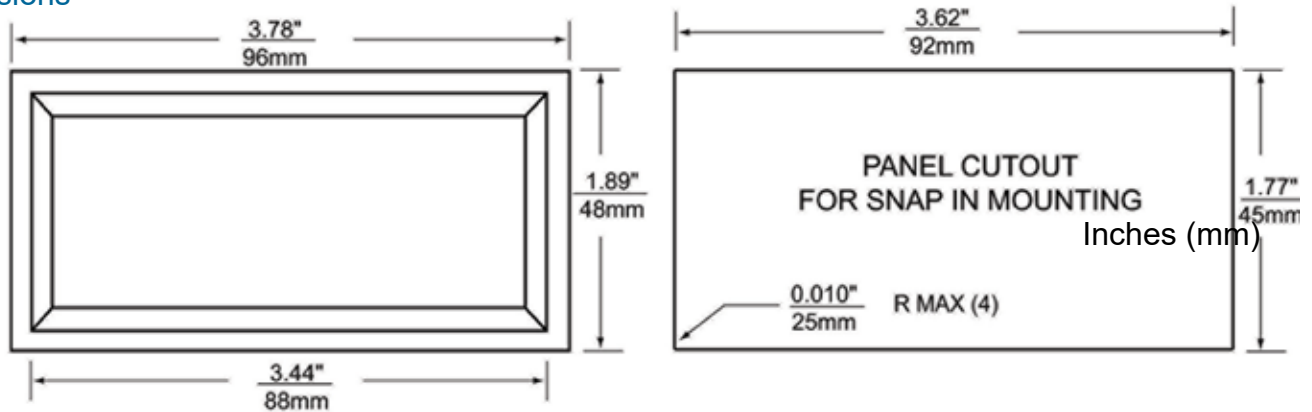
J4C13	13 Pin Connector / Wire Assembly
PW2-5	Regulated 120V AC to 5V DC Power Supply
CVC	Calibrator



HDMO-800 Series

3.5 Digit LCD Panel Meter

Dimensions



NOTES:

1. Panel thickness is: 0.032"/0.81mm to 0.25"/6.35mm
2. Gasket supplied is: 0.075"/1.9mm thick

Inches
mm

Wiring

Pin #	Description
1	+5V Power Supply
2	Negative Supply
3	INH
4	INLO
5	Decimal Common
6	Decimal 000.0 when connected to decimal common
7	Decimal 00.00 when connected to decimal common
8	Decimal 0.000 when connected to decimal common
9	No Connection Required
10	No Connection Required
11	No Connection Required
12	No Connection
13	No Connection



* Note: Pins 2 & 4 should be tied together for proper operation