



HLPI-3-XEC Series

3.5 Digit LCD Panel Meter

3½ Digit LCD with Loop Powered Board

Specifications

Display

Digits: 3 ½ digits (±1999 counts)
 Type: Type: 0.45" (11.4 mm) 7 segment LCD

Backlighting:

Optional Red Negative
 (red numbers/black background)
 Optional Green Negative
 (green numbers/black background)
 Optional Amber Negative
 (amber numbers/black background)
 Optional Green Positive
 (black numbers/green background)

Polarity:

automatic, "-" displayed

Annunciators:

°F, °C, PSI, % user-selectable

Decimal Points:

3 position, user-selectable

Overrange:

three lower order digits blank for inputs
 >1999 & < -1999

Inputs

Ranges: 4-20 mA DC
 Configuration: bipolar differential
 Impedance: 300Ω nominal

Performance

Accuracy: ±(0.1% fs + 2 count)
 Conversion Rate: 3 per second
 Normal Mode Rejection: >30 dB @ 60 Hz
 Common Mode Range: ±1 VDC max
 Common Mode Rej.: >86 dB
 Adjustments: span (gain) and zero (offset)
 Warmup: 10 minutes typical
 Temperature Coeff.: ± 100 ppm per °C typical

Environment

Operating Range: 0 to 50 °C
 Storage Range: -10 to 70 °C

Power Supply

powered by the milliamp control loop

Optional Backlight:

24 VDC at 35 mA typical

Mounting

snap-in panel mount
 or clamp and gasket

Connection

2 screw terminal (4 with backlight)



Features

- Low-cost, high-performance replacement for many OEM DPMs.
- Optional RED, GREEN, AMBER or POS GREEN backlit LCD.
- Snap-in bezel mount eliminates mounting hardware.
- Resistant to RF and EMI.
- 3½ digits with high-contrast LCD.
- 4-20 mA loop powered input.
- User-selectable, displayed engineering units.

Ordering Information

Part Number	Backlight Color	Backlight Power
HLPI-3-XEC	NO BACKLIGHT	NONE
HLPI-3A-XEC	NEG AMBER	24VDC
HLPI-3G-XEC	NEG GREEN	24VDC
HLPI-3R-XEC	NEG RED	24VDC
HLPI-3GP-XEC	POS GREEN	24VDC

ACCESSORIES

PW2-12	Regulated 120V AC to 12V DC Power Supply
PW1.0	24V AC to adjustable DC output
PW1.5	24V AC to adjustable DC output
CVC	Calibrator

Hoyt Electrical Instrument Works, Inc.

23 Meter Street
 Penacook, NH 03303

Phone: (800) 258-3652
 Fax: (603) 753-9592
 Email: sales@hoytmeter.com

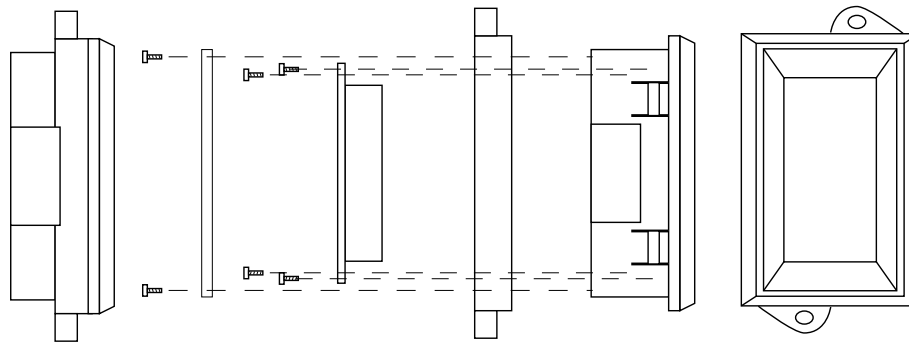
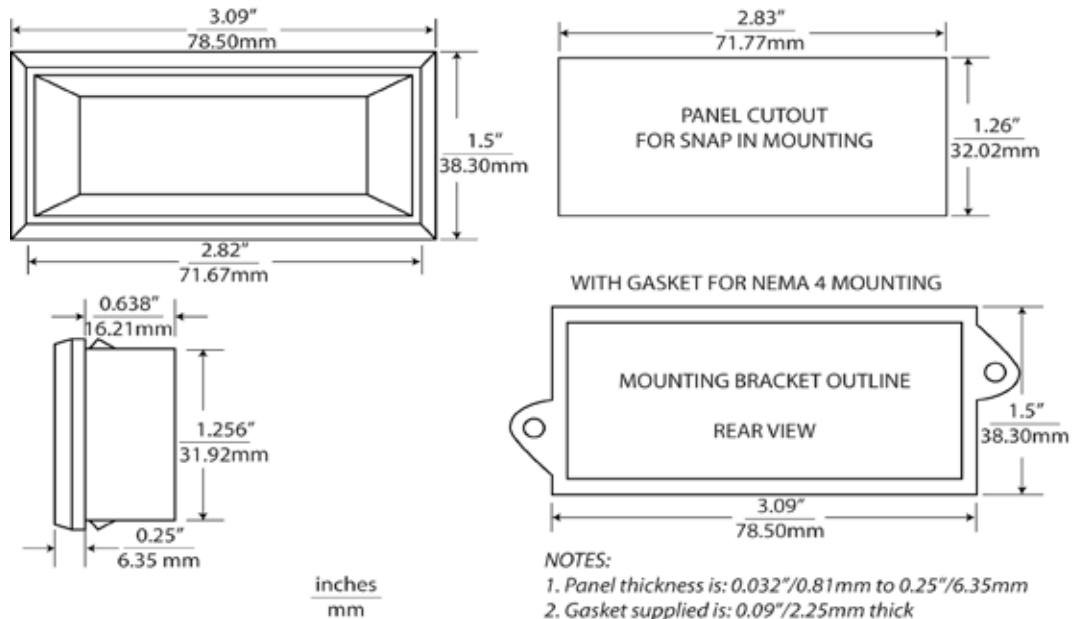
www.hoytmeter.com



HLPI-3-XEC Series

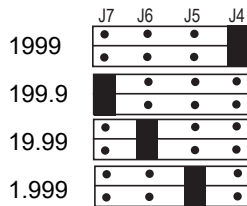
3.5 Digit LCD Panel Meter

Dimensions



Wiring

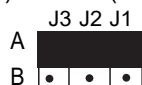
1. Decimal Selection:



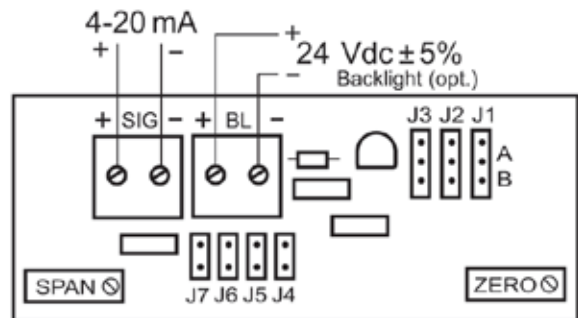
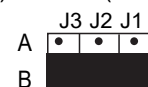
2. J1, J2, J3 Selection:

IF: Offset (Zero) = 0 or

$$\text{Offset (Zero)} > 0 \text{ and Gain (Span)} \div \text{Offset (Zero)} \geq 5$$



IF: Offset (Zero) > 0 and Gain (Span) ÷ Offset (Zero) < 5



(13 pin header)



(lower)