



HVPI-4-XEC Series

4.5 Digit LCD Panel Meter



Adjustable Voltage Powered 4½ Digit LCD

Specifications

Display

Digits: 4 ½ digits (±19999 counts)
 Type: 0.45" (11.4 mm) 7 segment LCD

Backlighting:

Optional Red Negative
 (red numbers/black background)
 Optional Green Negative
 (green numbers/black background)
 Optional Amber Negative
 (amber numbers/black background)
 Optional Green Positive
 (black numbers/green background)

Polarity:

automatic, "-" displayed

Annunciators:

°F, °C, PSI, % user-selectable

Decimal Points:

4 position, user-selectable

Overrange:

four lower order digits blank
 for inputs >19999 & < -19999

Inputs

Ranges: 5 V, 10 V adjustable, 200mV fixed
 Configuration: single ended
 Impedance: 390KΩ.

Performance

Accuracy: ±(0.05% of full scale + 1 count)
 Conversion Rate: 3 per second
 Normal Mode Rejection: >30 dB @ 60 Hz
 Adjustments: 25 turn potentiometers
 Warmup: 10 minutes typical
 Temperature Coeff.: ± 100 ppm per °C typical
 Offset Range: -19999 to +19999
 Gain Range: 1 to 19999
 (custom ranges available)

Environment

Operating Range: -10 to 50 °C
 Storage Range: -40 to 75 °C

Power Supply

12/24 DC

Mounting

snap-in panel mount
 or clamp and gasket (included)

Connection

screw terminals

Features

- .45", 4½ digit display.
- User-selectable decimal points.
- User-selectable engineering units.
- Non-backlit LCD or choice of AMBER, GREEN, RED or POS GREEN backlit LCD.
- Wide ZERO (Offset) & SPAN (Gain) adjustment.
- Snap-in panel mounting.
- Gasket and clamp provided for NEMA 4, NEMA 12 & IP66 applications

Ordering Information

Part #	Backlight Color	Meter Input	Backlight Power
HVPI-4-XEC	NO Backlight	Voltage	12/24VDC
HVPI-4A-XEC	NEG AMBER	Voltage	12/24VDC
HVPI-4G-XEC	NEG GREEN	Voltage	12/24VDC
HVPI-4R-XEC	NEG RED	Voltage	12/24VDC
HVPI-4GP-XEC	POS GREEN	Voltage	12/24VDC

Accessories

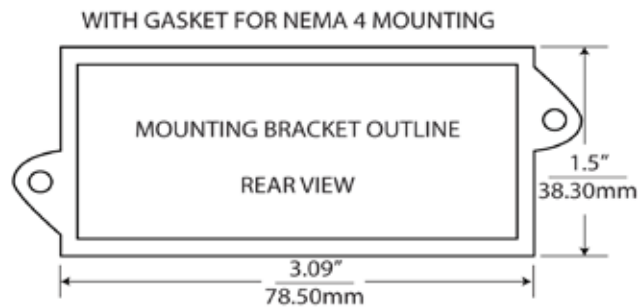
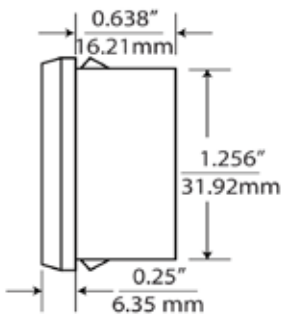
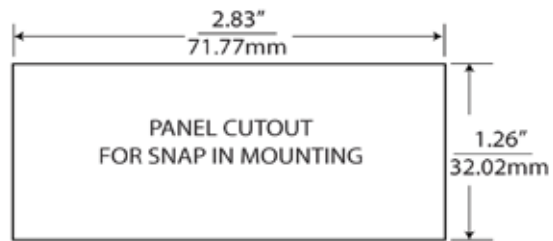
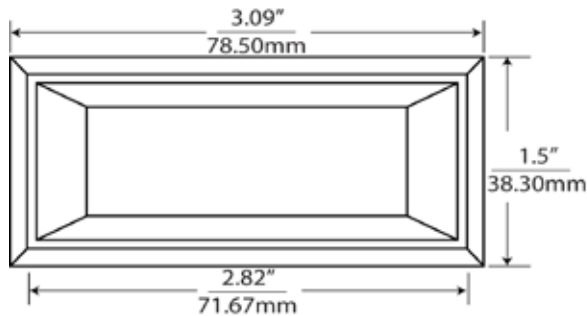
PW2-12	Regulated 120V AC to 12V DC Power Supply
PW2-24	Regulated 120V AC to 24V DC Power Supply
PW1.0	24V AC to adjustable DC output
PW1.5	24V AC to adjustable DC output
CVC	Calibrator



HVPI-4-XEC Series

4.5 Digit LCD Panel Meter

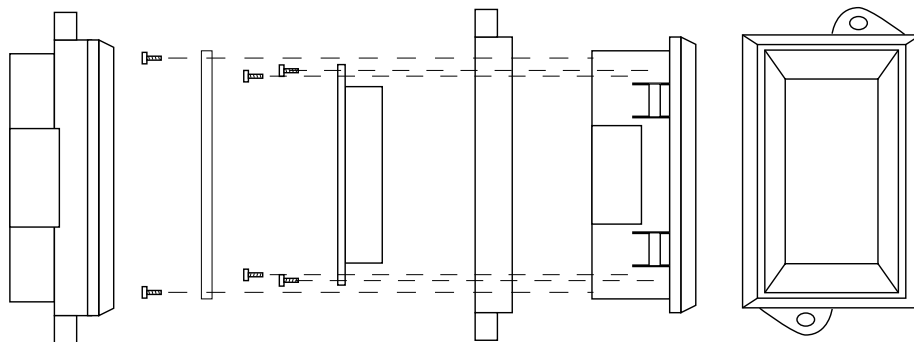
Dimensions



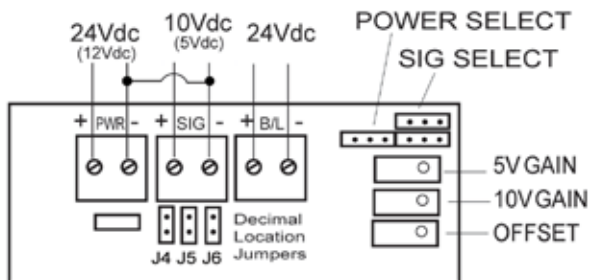
inches
mm

NOTES:

1. Panel thickness is: 0.032"/0.81mm to 0.25"/6.35mm
2. Gasket supplied is: 0.09"/2.25mm thick



Wiring



Decimal Point Selection

1. Locate jumpers J4 through J6 in the middle of the circuit board unit.

2. Jumper the appropriate decimal location as follows:

- | | |
|------|---------|
| J4 | - 000.0 |
| J5 | - 00.00 |
| J6 | - 0.000 |
| None | - 0000 |



(13 pin header)



(lower)