



# HVPI-4E, HVPI-4EW Series

## 4.5 Digit LCD Panel Meter



### Adjustable Voltage Powered 4½ Digit LCD

#### Specifications

##### Display

Digits: 4 ½ digits ( $\pm 19999$  counts)  
 Type: 0.45" (11.4 mm) 7 segment LCD

##### Backlighting:

Optional Red Negative  
 (red numbers/black background)  
 Optional Green Negative  
 (green numbers/black background)  
 Optional Amber Negative  
 (amber numbers/black background)  
 Optional Green Positive  
 (black numbers/green background)

##### Polarity:

automatic, "-" displayed

##### Annunciators:

°F, °C, PSI, % user-selectable or  
 V, A, KW, PF

##### Decimal Points:

4 position, user-selectable

##### Overrange:

four lower order digits blank for inputs  
 $> 19999$  &  $< -19999$

##### Inputs

Ranges: 0-10 VDC, 0-5 VDC or 0-200 mV DC  
 Configuration: single ended  
 Impedance: 390K $\Omega$  min.

##### Performance

Accuracy:  $\pm(0.1\% \text{ fs} + 2 \text{ count})$   
 Conversion Rate: 3 per second  
 Normal Mode Rejection:  $>30 \text{ dB @ } 60 \text{ Hz}$   
 Adjustments: span (gain) (2) (10V and 5V)  
 and zero (offset)  
 Warmup: 10 minutes typical  
 Temperature Coeff.:  $\pm 100 \text{ ppm per } ^\circ\text{C}$  typical  
 Offset Range: -19999 to +19999  
 Gain Range: 1-20000 counts above adjusted zero

##### Environment

Operating Range: 0 to 50 °C  
 Storage Range: -10 to 70 °C

##### Power Supply

12 VDC or 24 VDC regulated  
 (selectable)

##### Optional Backlight:

24 VDC at 35 mA typical

##### Mounting

snap-in bezel mount,  
 window mount (optional)

##### Connection

2 screw terminal (4 with backlight)

#### Features

- Low-cost, high-performance replacement for many OEM DPMs.
- Optional RED, GREEN or AMBER backlighting.
- Snap-in bezel mount eliminates mounting hardware.
- Resistant to RF and EMI.
- Optional window mount.
- 4½ digits with high-contrast LCD.
- 12V or 24V DC voltage-powered.
- User-selectable, displayed engineering units.

#### Ordering Information

##### SNAP-IN:

Part #	Backlight Color	Backlight Power
HVPI-4*E	NO BACKLIGHT	NONE
HVPI-4*EAN	NEG AMBER	24 VDC
HVPI-4*EGN	NEG GREEN	24 VDC
HVPI-4*ERN	NEG RED	24 VDC
HVPI-4*EGP	POS GREEN	24 VDC

##### WINDOW:

Part #	Backlight Color	Backlight Power
HVPI-4*EW	NO BACKLIGHT	NONE
HVPI-4*EANW	NEG AMBER	24 VDC
HVPI-4*EGNW	NEG GREEN	24 VDC
HVPI-4*ERNW	NEG RED	24 VDC
HVPI-4*EWG	POS GREEN	24 VDC

\*Add (P) for Power Engineering Units V, A, KW, PF

##### ACCESSORIES

PW2-12	Regulated 120V AC to 12V DC Power Supply
PW2-24	Regulated 120V AC to 24V DC Power Supply
CVC	Calibrator

**Hoyt Electrical Instrument Works, Inc.**

23 Meter Street  
 Penacook, NH 03303

Phone: (800) 258-3652  
 Fax: (603) 753-9592  
 Email: sales@hoytmeter.com

[www.hoytmeter.com](http://www.hoytmeter.com)

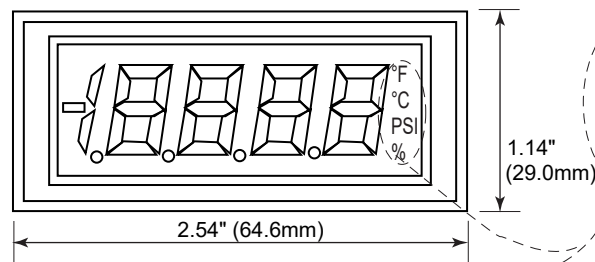


# HVPI-4E, HVPI-4EW Series

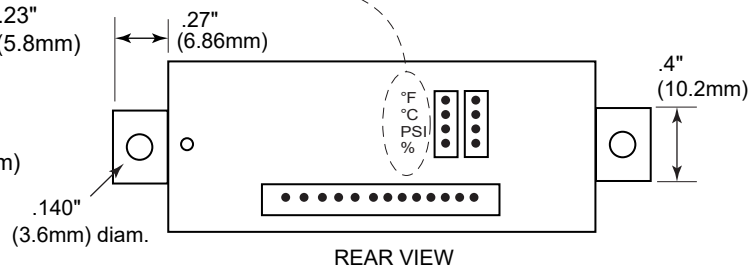
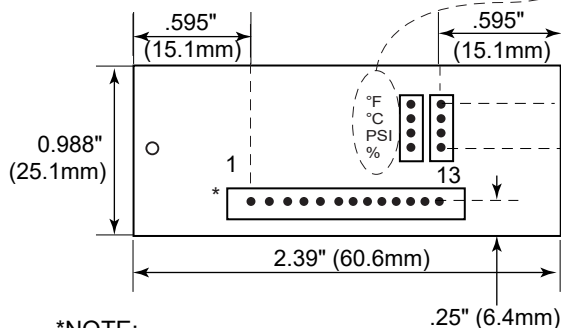
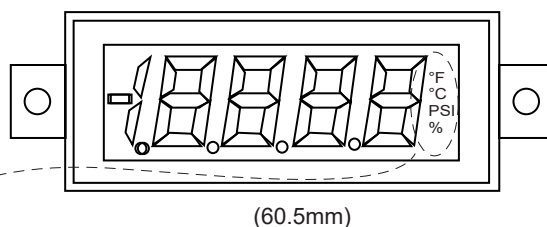
## 4.5 Digit LCD Panel Meter

### Dimensions

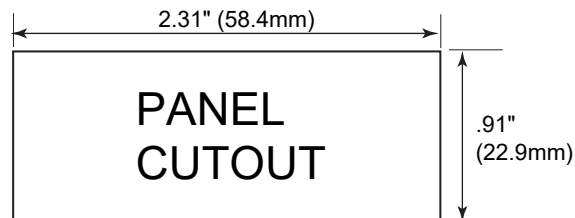
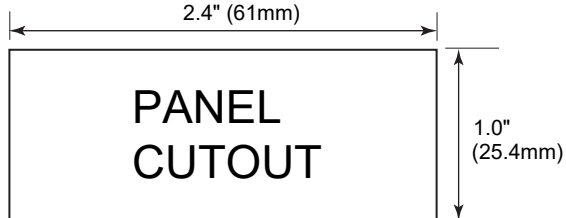
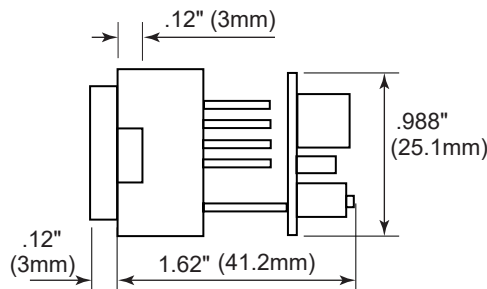
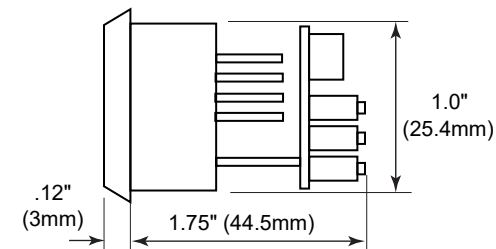
#### Bezel Mount



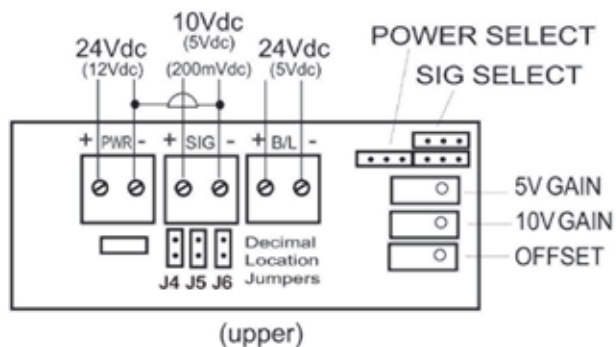
#### Window Mount



\*NOTE:  
(13) .025" square pins on .1" centers



### Wiring



#### Decimal Point Selection

1. Locate jumpers J4 through J6 in the middle of the circuit board unit.

2. Jumper the appropriate decimal location as follows:

- J4 - 000.0
- J5 - 00.00
- J6 - 0.000
- None - 0000