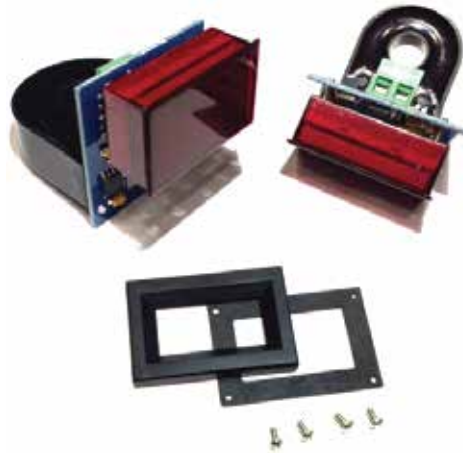




DLA20-ACA AC Ammeter

Digital Panel Meter



DLA20-ACA SERIES - LED Display AC Ammeters with Built-in Current Transformers

Features

- Powered by 85-264 Vac.
- Available in easy to read RED, BLUE or GREEN LED
- The DLA20-ACA Series utilizes an onboard CT to provide a digital read out of the monitored current.

Specifications

DISPLAY:

Numeral Size: 37" (9.4 mm)
 Overrange: three lower order digits blank
 Supply Voltage: 85-264 Vac, 30-50 mA

INPUT

Ranges: 0-1.999A, 19.99A, 50.0A, 100.0A

PERFORMANCE:

Accuracy: $\pm .5\% \pm 6$ counts
 Sampling Rate: 2.5 per second

ENVIRONMENT

Operating Temp: -10 to 50 °C
 Max Humidity: 95% (non-condensing)

CONNECTION

Power - screw terminals, input - thru-hole CT

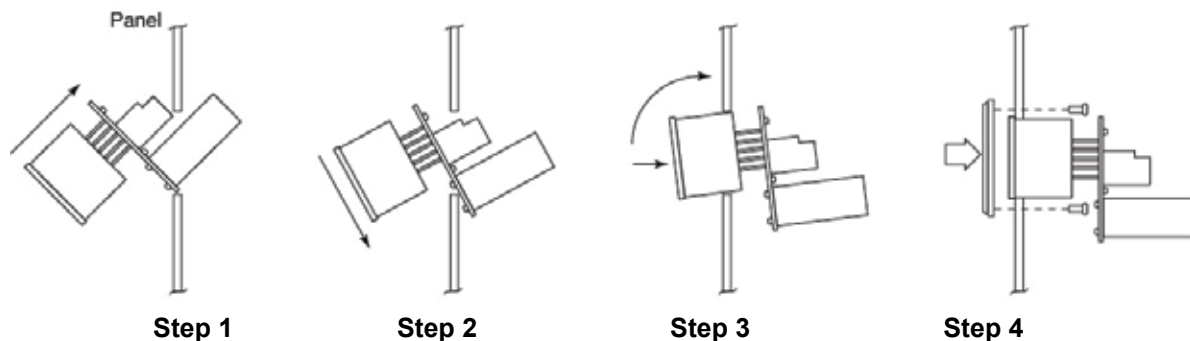
Ordering Information

Part number	Meter color	Meter input
DLA20-ACA-R-1	RED	1.999A
DLA20-ACA-B-1	BLUE	1.999A
DLA20-ACA-G-1	GREEN	1.999A
DLA20-ACA-R-2	RED	19.99A
DLA20-ACA-B-2	BLUE	19.99A
DLA20-ACA-G-2	GREEN	19.99A
DLA20-ACA-R-3	RED	50.0A
DLA20-ACA-B-3	BLUE	50.0A
DLA20-ACA-G-3	GREEN	50.0A
DLA20-ACA-R-4	RED	100.0A
DLA20-ACA-B-4	BLUE	100.0A
DLA20-ACA-G-4	GREEN	100.0A

Accessories Included

DLA-BEZ-20-G Bezel Assembly

Panel Installation



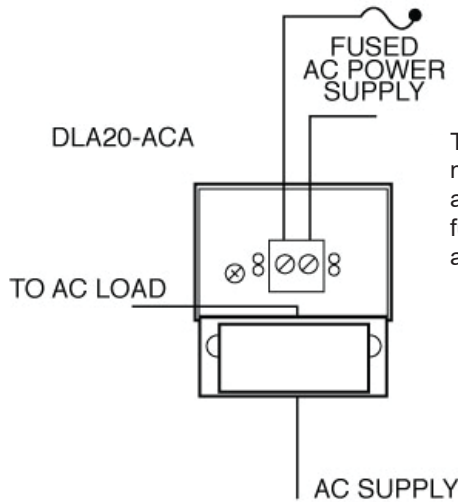


DLA20-ACA AC Ammeter

Digital Panel Meter

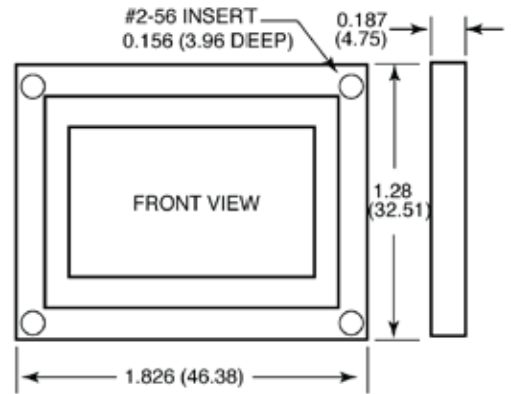
Dimensions & Wiring

TYPICAL WIRING DIAGRAM

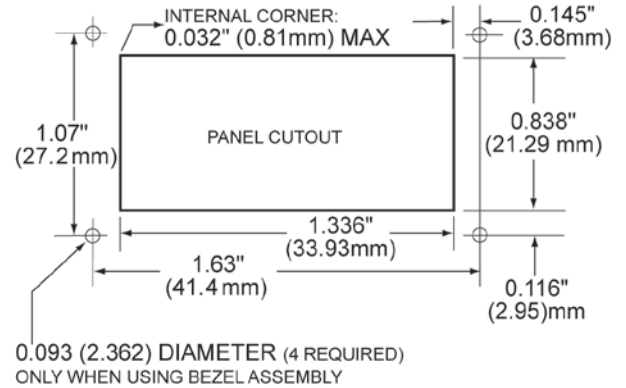


The supply wires feeding these models must be fused with a 0.25A time delay / time lag fuse, in accordance with applicable regulatory codes.

Bezel installation & Recommended Drill & Panel Cutout



RECOMMENDED PANEL CUTOUT



Mechanical Specifications

