



# HDMO-3xx-XEC Series

## 3.5 Digit LED Panel Meter

3½ Digit LED Display for voltage inputs

### Specifications

#### Display

Digits: 3 ½ digits (±1999 counts)  
 Type: 7- segment LED (red or green)  
 Digit Height: .56 in (14.2 mm)  
 Polarity Indication: Automatic "-" for neg input  
 Decimal Point: 3 position selectable  
 Overrange: Three lower order digits blank for inputs >1999 & < -1999

#### Inputs

Configuration: bipolar, differential  
 Full-Scale Input: ±200 mV, ±2 V, ±20 V  
 Input Offset Adjustment: Auto zero  
 Input Impedance: >100 MΩ (±200 mV),  
 -1 MΩ (other ranges)

Common Mode Range: ±1 VDC  
 Common Mode Rej: >86 dB  
 Protection: ±350 VDC  
 (±100 VDC for 200 mV range)  
 Input Bias Current: 1 pA typical, 100 pA max  
 Control Inputs: Decimal point select,  
 span adjust trimpot

#### Performance

Sampling Rate: 3.3 readings / s  
 Accuracy: ± (0.1% + 2 counts) typical  
 ±(0.2% + 2 counts) max  
 Warmup: 10 min  
 Temperature Coeff.: ± 100 ppm per °C

#### Power Supply

Supply Voltage: +5 VDC ±5%  
 Supply Current, typical: 200 mA

#### Environment

Operating Temperature: 0 to 50°C  
 Storage Temperature: -10 to 60°C  
 Relative Humidity: 0 to 95% non-condensing

#### Physical

Package Style: NEMA bezel mount  
 Dimensions: 3.09 x 1.5 x .66"  
 Panel Cutout: 2.83 x 1.26"  
 Weight: 1.0 oz

#### Connection

Connector: 10 pin  
 J1C-10 or C10-5 optional



### Features

- Display hold function is standard.
- 3 1/2 digits with 0.56" Red or Green LED.
- 10" wire harness included.
- Gasket and clamp provided for NEMA4, NEMA12 & IP66 applications.
- User-selectable decimal points.

### Ordering Information

Part #	Meter Color	Meter Power
DMO-35G-XEC .....	GREEN .....	200mV DC
DMO-36G-XEC .....	GREEN .....	2VDC
DMO-37G-XEC .....	GREEN .....	20VDC
DMO-35HR-XEC .....	RED .....	200mV DC
DMO-36HR-XEC .....	RED .....	2V DC
DMO-37HR-XEC .....	RED .....	20V DC

### Accessories

C10-5.....	5" - 10 Pin Connector / Wire Assembly
J1C10.....	12" - 10 Pin Connector / Wire Assembly
PW2-5 .....	Regulated 120V AC to 5V DC Power Supply
PW1.0.....	24V AC to adjustable DC output
CPW1.5B .....	24V AC to adjustable DC output
CVC .....	Calibrator

### Hoyt Electrical Instrument Works, Inc.

23 Meter Street  
 Penacook, NH 03303

Phone: (800) 258-3652  
 Fax: (603) 753-9592  
 Email: sales@hoytmeter.com

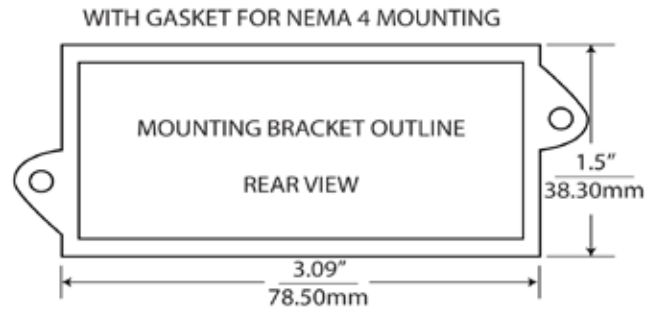
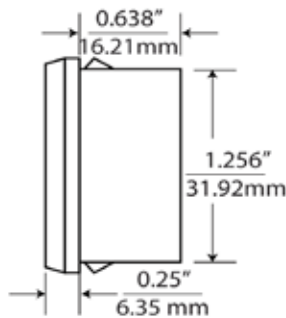
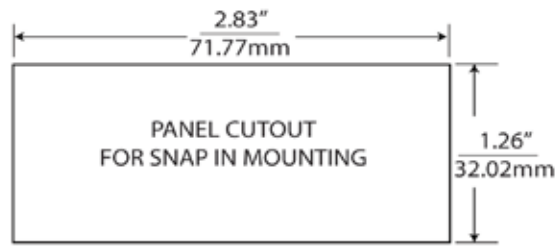
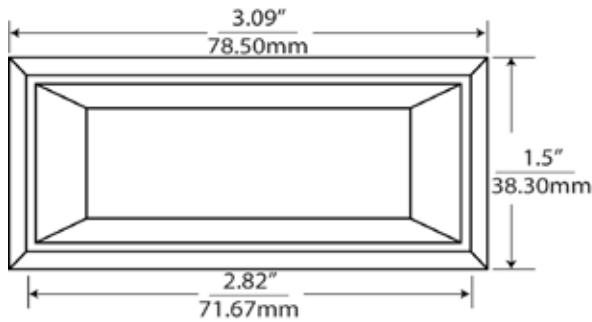
[www.hoytmeter.com](http://www.hoytmeter.com)



# HDMO-3xx-XEC Series

## 3.5 Digit LED Panel Meter

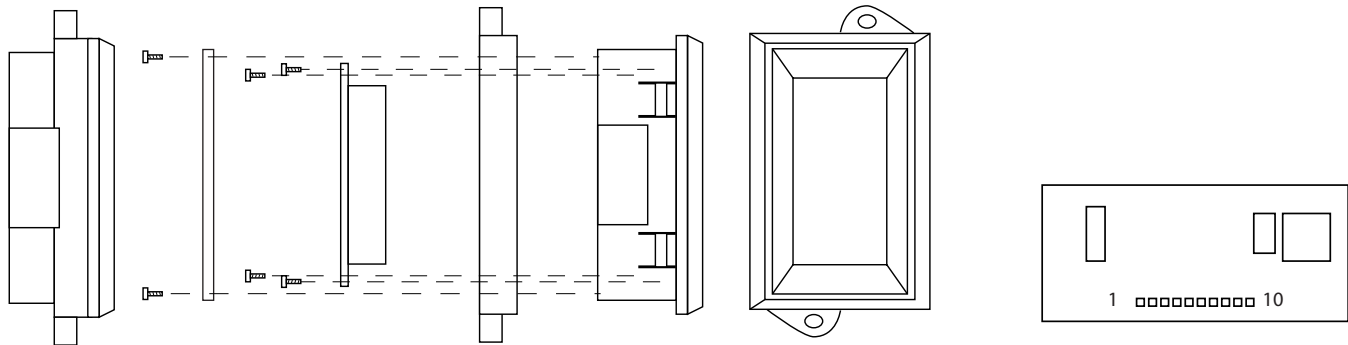
### Dimensions



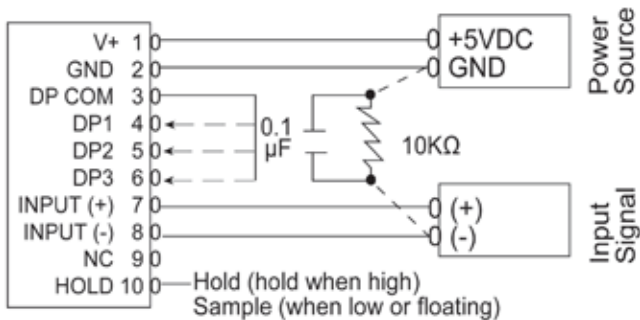
inches  
mm

**NOTES:**

1. Panel thickness is: 0.032"/0.81mm to 0.25"/6.35mm
2. Gasket supplied is: 0.09"/2.25mm thick



### Wiring & Calibration



Pin #	Pin Name	Description
1	V+	+5V power supply
2	GND	Power supply ground
3	DP COM	Decimal point return
4	DP1	1XX.X (connect to DP COM to turn on)
5	DP2	1X.XX (connect to DP COM to turn on)
6	DP3	1.XXX (connect to DP COM to turn on)
7	INPUT(+)	Positive input signal
8	INPUT(-)	Negative input signal
9	NC	No connection required
10	NC	No connection required