



Models 4025, 4026

Analog Panel Meters



2-1/2" 4025 DC Moving Coil

2-1/2" 4026 AC Repulsion

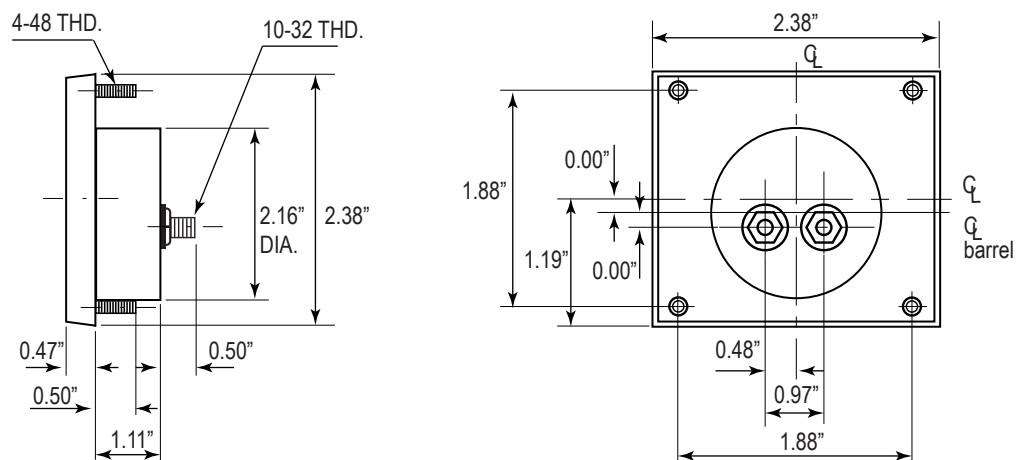
Features

- Handsomely styled to meet the most demanding appearance requirements.
- 4 hole mounting to provide for interchanging with other similar size meters.
- UL Recognized meters available.
- Special Dials are available with the following options: additional Colors, Scales, Special Legends, Logo and Mirrors.
- **DC Ranges:** Microammeter, Milliammeter, Ammeter, Millivoltmeter, Voltmeter.
- **AC Ranges:** Milliammeter, Ammeter, Voltmeter, Frequency Meter, Motor Load Meter.

Specifications

Overload:	Voltmeters (AC and DC): 50% momentary; 20% sustained. Ammeters (AC and DC): momentary - 10 X rated current, 10 consecutive intervals of 1/2 second with a 1 minute interval between successive applications; sustained - 20% for 6 hours.
Accuracy:	±2% full scale value.
Resistance:	±15%.
Dials:	100 or 90 degree arc, black lettering on white background. Special dial colors and artwork are available as an option.
Pointer:	Knife Edge
Movement:	Pivot and Jewel, AC Iron Vane or Taut Band.
Mounting:	Specify (S) Surface mount.
Case:	Bakelite.
Operating Temp.:	32°F to 104°F (0°C to 40°C).
Storage Temp.:	-4°F to 131°F (-20°C to 55°C).
Meter Approvals:	ANSI C39.1, RoHS, REACH.
Origin:	Made in USA.

Dimensions



Hoyt Electrical Instrument Works, Inc.

23 Meter Street
Penacook, NH 03303

Phone: (800) 258-3652
Fax: (603) 753-9592
Email: sales@hoytmeter.com

www.hoytmeter.com