



# Model 6045 MR, 6046 MR

## 6000 Series - Analog Meter Relays

**6045 MR** DC  
**6046 MR** AC Rectified



**4-1/2"**

### Features

- Low Depth - 4.5".
- Wide variety of control, alarm, and limit use.
- Calibration unaffected by steel panel mounting.
- Infrared LED/photo transistor.
- 0-2 / 0-20 second time delay STD.
- 5-A 120/220V relay contact, double pole-double throw.
- Stable electronic switching circuit does not use lamps, photocells, inductors or capacitors.
- Isolated input signal.
- Control function continues if the indicator becomes damaged.
- LED relay status indicators.
- Custom dials multi-color, gradient color, photos, and logos - as you wish.

### Specifications

Accuracy	DC: $\pm 2\%$ of full scale. AC: $\pm 3\%$ of full scale.
Movement Suspension	Core Type, Self-shielding. Taut Band.
Tracking	$\pm 3\%$
Repeatability	Within 0.5% of full scale.
Shielding	Calibration unaffected by magnetic panel mounting.
Dial	Sharp, clear, flattened arc. Customs and logos available.
Case	Lexan.
Pointer	Black, Tubular
Control Point	Single - high limit, 0-100% of arc.
Adjustments	Double - high limit 5-100% of arc, Low limit 0-95% of arc, adjustable to within $4^\circ$ of each other.
Switching	Within 2% of indication.
Auto / Manual Reset	Latching function enabled independently for each relay removing jumpers on terminal block. Add and replace with a normal open pushbutton switch.
Contacts/ Output Relay	DPDT relay contacts for each control point, each set contacts rated at 5amps, 20/240VAC resistive.
Power Options	1) 70-170VAC, 50-400Hz / 70-170VDC. 2) 8-32 VDC
Operating temperature	+41°F to 122°F ( $5^\circ\text{C}$ to $50^\circ\text{C}$ )

### Applications

- Liquid level control
- Load shedding
- Power factor correction
- High & Low alarms
- Shutdown
- Frequency monitoring
- Temperature indication and control

### Accessories

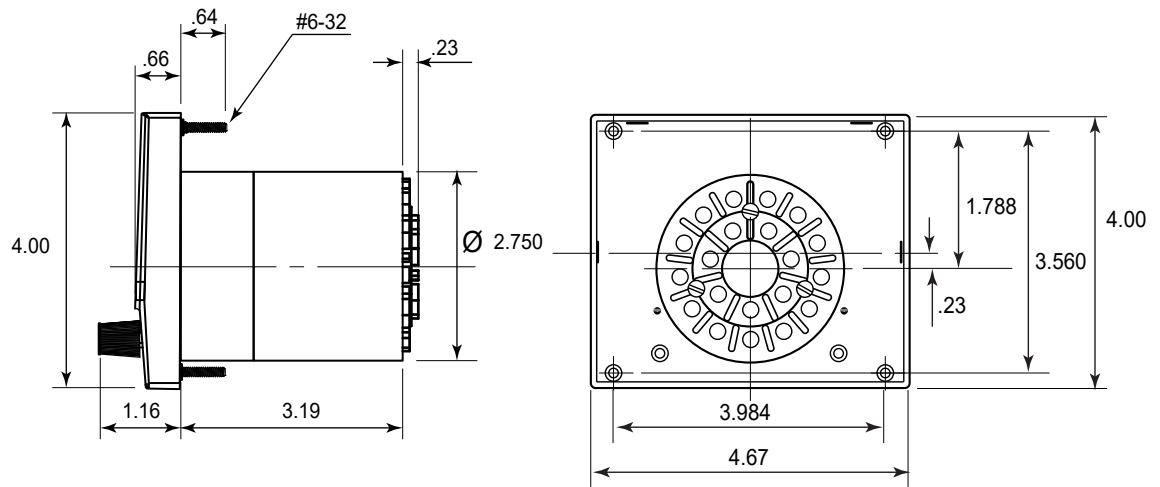
- Relay latching
- External reset switch
- Finger knob setpoint adjusters



# Model 6045 MR, 6046 MR

## 6000 Series - Analog Meter Relays

### Dimensions



### Meter Relay Configurator

Model	Relay	Time Delay	Reset	Aux Power	Input	Scale
<b>6045 MR</b>	H = HIGH HL = HIGH/LOW L = LOW	0 = 0-2 SEC 2 = 0-20 SEC	A = AUTO C = MANUAL NC O = MANUAL NO	A = 100-132VAC D = 8-32VDC	1M ADC 150 VDC 300 VDC 50M VDC 100M VDC	SPECIFY
<b>6046 MR</b>	H = HIGH HL = HIGH/LOW L = LOW	0 = 0-2 SEC 2 = 0-20 SEC	A = AUTO C = MANUAL NC O = MANUAL NO	A = 100-132VAC D = 8-32VDC	150 VAC 300 VAC 5 AAC	SPECIFY

### Catalog Numbers

	<b>6045 MR</b>	<b>6046 MR</b>
High Setpoint	6045-H0AA-1MADC 6045-H0AA-150VDC 6045-H0AA-300VDC 6045-H0AA-50MVDC-SCALE*	6046R-H0AA-150VAC 6046R-H0AA-300VAC 6046R-H0AA-5AAC-SCALE*
High/Low Setpoint	6045-HL0AA-1MADC 6045-HL0AA-150VDC 6045-HL0AA-300VDC 6045-HL0AA-50MVDC-SCALE*	6046R-HL0AA-150VAC 6046R-HL0AA-300VAC 6046R-HL0AA-5AAC-SCALE*
Low Setpoint	6045-L0AA-1MADC 6045-L0AA-150VDC 6045-L0AA-300VDC 6045-L0AA-50MVDC-SCALE*	6046R-L0AA-150VAC 6046R-L0AA-300VAC 6046R-L0AA-5AAC-SCALE*

\* - Please, specify your scale information upon order