



HST-72, HST-96 Ammeters / Voltmeters

DIN Analog Panel Meters



HST-72 - 72mm

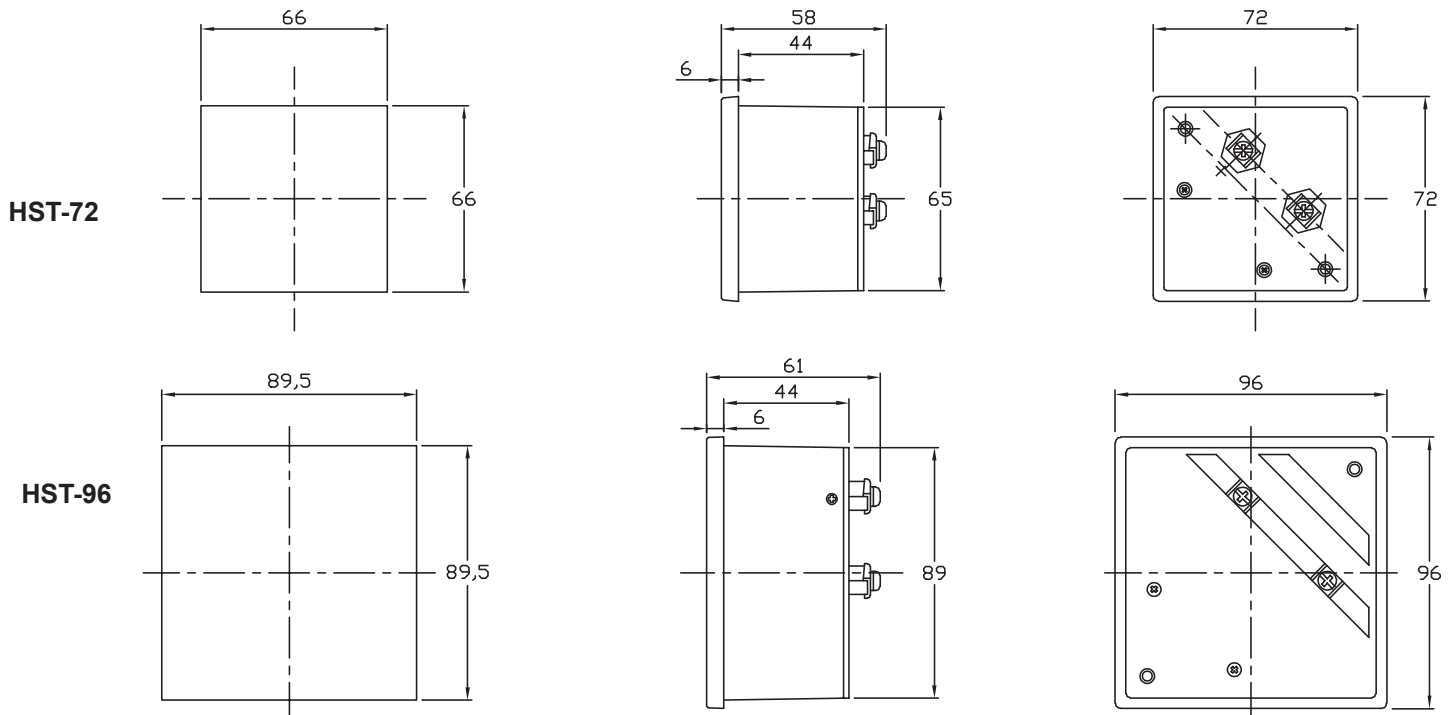


HST-96 - 96mm

Specifications

- Test Voltage : 2kV 50~60Hz
- AC Ampere Over Load Scale : 200%, 300%, 500%
- Composition : Glass window, ABS resin frame and case, Bakelite base
- Color : Black case and frame, white scale plate and meter body
- Pointer : Stick shape in black color
- Pointer Length: ST-72 : 38mm. ST-96 : 55mm

Dimensions





HST-72, HST-96 Ammeters / Voltmeters

DIN Analog Panel Meters

Measuring Ranges

Moving Coil Type

DC uA	DC mA	DC A	DC mV	DC V
50	1	1 50	50	1 100
100	1.5	1.5 60	60	1.5 150
150	2.5	2.5	100	2.5 200
200	3	3	500	3 300
250	5	5		5 400
300	10	10		10 600
400	50	15		15
500	100	20		20
600	500	25		25
800	800	30		30
		40		40

Moving Iron Type

AC mA	AC A	AC V
100	1 60	100
500	1.5 100	150
	2.5	250
	5	300
	10	500
	15	600
	20	
	25	
	30	
	40	

AC Ammeters above 100A require a basic meter combined with an external CT (Current Transformer)

AC Voltmeters above 600V require basic 150V meter combined with an external PT (Potential Transformer)

Measuring range	CT ratio	Measuring range	CT ratio
0-5 A		0-250 A	250/5
0-10 A	10/5	0-300 A	300/5
0-15 A	15/5	0-400 A	400/5
0-20 A	20/5	0-500 A	500/5
0-25 A	25/5	0-600 A	600/5
0-30 A	30/5	0-750 A	750/5
0-40 A	40/5	0-800 A	800/5
0-50 A	50/5	0-1000 A	1000/5
0-60 A	60/5	0-1200 A	1200/5
0-75 A	75/5	0-1500 A	1500/5
0-100 A	100/5	0-2000 A	2000/5
0-150 A	150/5	0-2500 A	2500/5
0-200 A	200/5	0-3000 A	3000/5

Measuring range	PT ratio
0-300 V	220/110
0-600 V	440/110
0-4.5 kV	3300/110
0-9 kV	6600/110
0-18 kV	13200/110
0-30 kV	22000/110
0-45 kV	33000/110

DC Ammeters above 50A require a basic 50mV meter combined with an external shunt

For connection to shunt measuring range		
0-0.5 A	0-100 A	0-1200 A
0-7.5 A	0-150 A	0-1500 A
0-10 A	0-200 A	0-2000 A
0-15 A	0-300 A	0-3000 A
0-20 A	0-400 A	0-4000 A
0-30 A	0-500 A	0-5000 A
0-40 A	0-600 A	0-6000 A
0-50 A	0-750 A	0-7000 A
0-75 A	0-1000 A	0-10000 A