



# HLS-110, HLS-80 Power Factor Meters

## Analog Switchboards Meters



**HLS-80 - 3.25"**

**HLS-110 - 4.5"**

### Features

- Easy to read long-scales and pointer-indications can easily be read from a distance.
- Full Scale Deflection: 250°
- Accuracy: Class 1.0
- Scale Length: HLS-110: 183mm | HLS-80: 140mm
- Case and Composition:
  - Acrylic resin cover, plastic body and terminal.
  - Four studs mounting.
- Color: White scale plate, black terminal plate, black meter body.
- Pointer: Sword-type in black color.

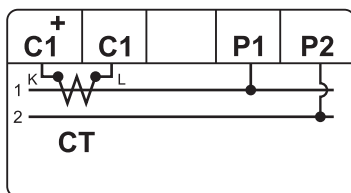
### Specifications

Rating (Current)	Rating (Voltage)	Accuracy	Scale
Single - Phase / 2-wire, 50 or 60 Hz 5A 5A	120V (L-N) 240V (L-N)	1.5	5 – 1 – .5
3 Phase / 3-wire, 50 or 60 Hz 5A 5A	120V (L-N) 240V (L-N)	1.5	5 – 1 – .5
3 Phase / 4-wire, 50 or 60 Hz 5A 5A	$208V / \sqrt{3}$ ( 120V L-N 208V L-L ) $415V / \sqrt{3}$ ( 240V L-N 415V L-L )	1.5	5 – 1 – .5

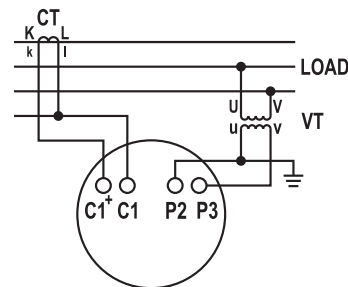
■ Consult Hoyt for measuring ranges and scales

### Wiring Diagram

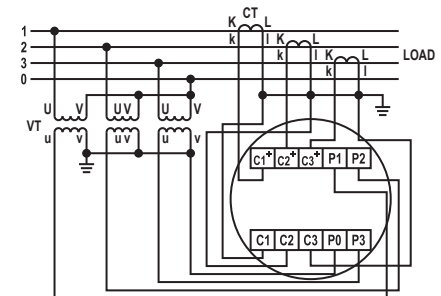
#### PF 1P2W



#### PF 3P3W



#### PF 3P4W



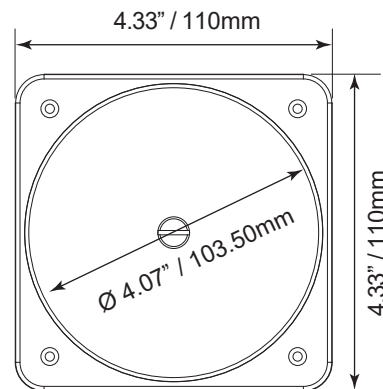
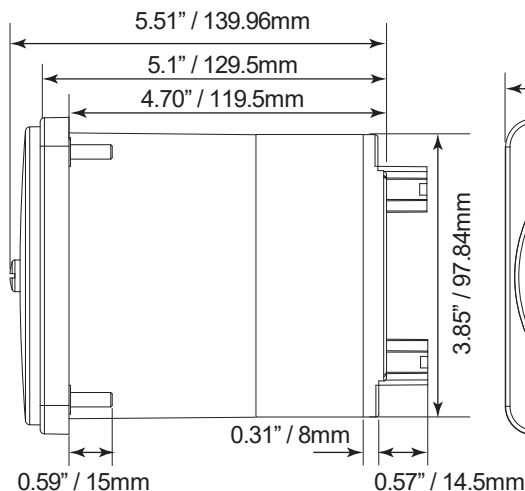
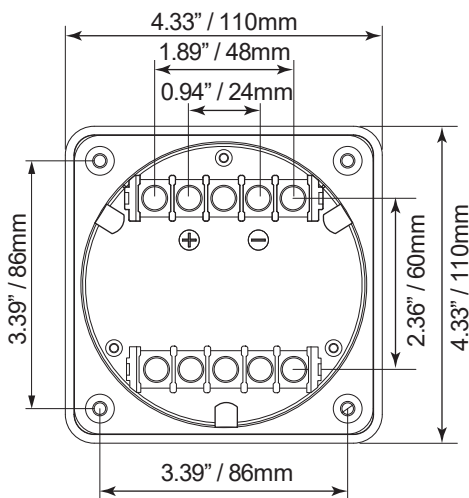
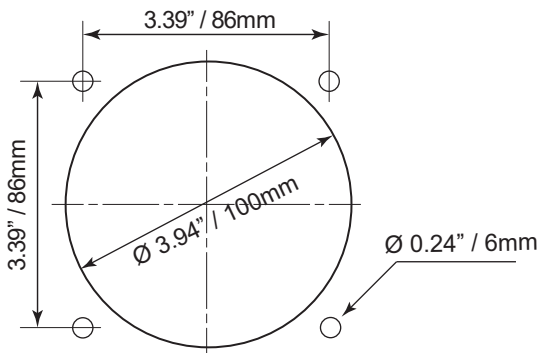
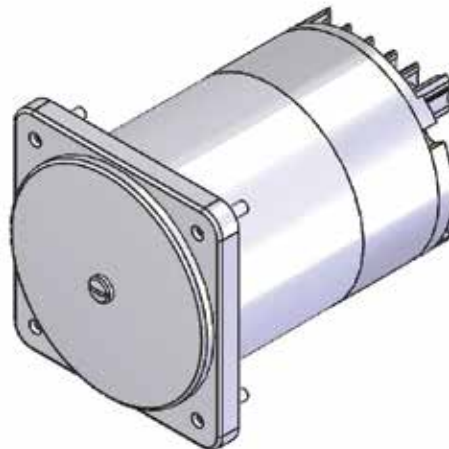


# HLS-110, HLS-80 Power Factor Meters

## Analog Switchboards Meters

### Dimensions

#### HLS-110



#### HLS-80

