



# Model 2035 / 2036

## Analog Panel Meters



**3-1/2" 2035** DC Moving Coil

**3-1/2" 2036** AC Repulsion

### Features

- These attractively styled 2000 Series meters are produced in five sizes from 1-1/2" to 6".
- All models have long, flat arc scales and knife edge pointers for excellent readability.
- Most 1-1/2" to 6" meters are supplied with the self shielded Accuring movements.
- The standard AC repulsion movement is also available in 2-1/2" to 6" meter cases.
- Features for the 2000 Series include matching AC and DC models, bezel or surface mounting, and choice of standard colors on the lower front cover at additional cost.
- Special Dials are available with the following options: additional Colors, Scales, Special Legends, Logo and Mirrors.

**DC Ranges:** Microammeter, Milliammeter, Ammeter, Millivoltmeter, Voltmeter.

**AC Ranges:** Milliammeter, Ammeter, Voltmeter, Frequency Meter, Motor Load Meter.

### Specifications

|                  |  |
|------------------|--|
| Overload:        | Voltmeters (AC and DC): 50% momentary 20% sustained.<br>Ammeters (AC and DC) momentary: 10 times the rated current for 10 consecutive intervals of .5 seconds with a 1 minute interval between successive applications; 20% for six hours. |
| Accuracy:        | ±2% full scale value.  |
| Resistance:      | ±15%.  |
| Dials:           | 100 or 90 degree arc, black lettering on white background.<br>Special dial colors and artwork are available as an option.  |
| Pointer:         | Knife Edge   |
| Movement:        | Pivot and Jewel, AC Iron Vane or Taut Band.  |
| Mounting:        | Specify (S) Surface mount or (B) Bezel mount.  |
| Case:            | Clear Acrylic cases.   |
| Operating Temp.: | 32°F to 104°F ( 0°C to 40°C).  |
| Storage Temp.:   | -4°F to 131°F (-20°C to 55°C).   |
| Meter Approvals: | ANSI C39.1, RoHS, REACH.   |
| Origin:          | Made in USA.   |

**Hoyt Electrical Instrument Works, Inc.**

[www.hoytmeter.com](http://www.hoytmeter.com)

23 Meter Street  
Penacook, NH 03303

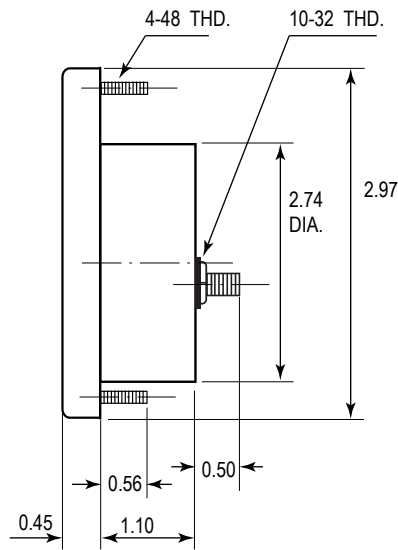
Phone: (800) 258-3652  
Fax: (603) 753-9592  
Email: [sales@hoytmeter.com](mailto:sales@hoytmeter.com)

Page 1 (2)

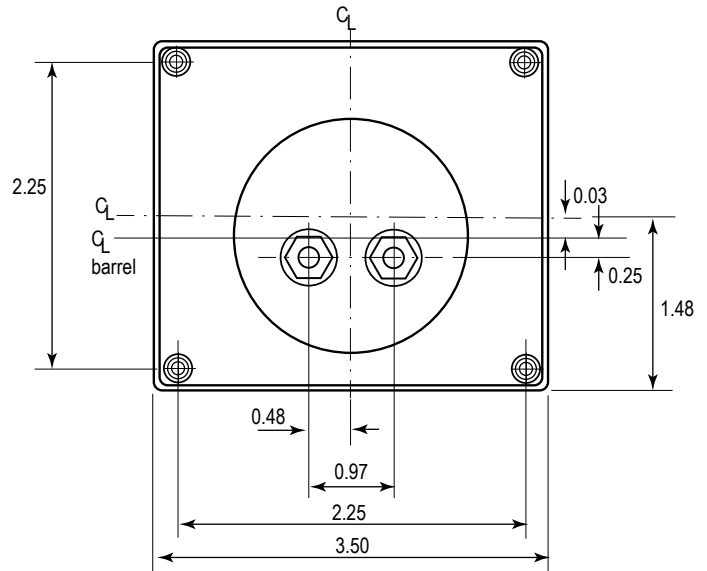


## Analog Panel Meters

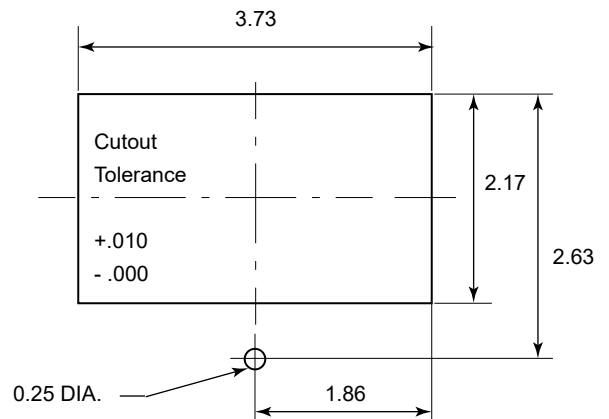
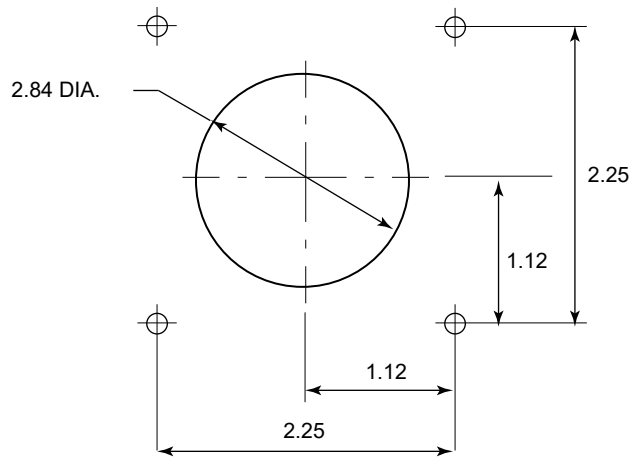
### Dimensions



Panel Cutout for Barrel



Bezel Panel Cutout



### Bezel Mount

Bezels for mounting rectangular custom series models 2018, 2025/26, 2035/36 and 2045/46 behind the panel are sturdy high impact ABS.

#### Bezel Part Numbers

- M107081-KIT (overall size 2" x 1-3/16") for 2018/R
- M207036-KIT (overall size 3-1/8" x 1-23/32") for 2025/26
- M207048-KIT (overall size 3-7/8" x 2-9/32") for 2035/36
- M207030-KIT (overall size 4-31/32" x 2-29/32") for 2045/46

