



HDMO-6 Series

3.5 Digit LCD Panel Meter



Features

- Space saving design only 0.67"(17mm) deep.
- Occupies less than 2.5 x 1.1 inches of front panel space.
- High contrast LCD.
- 3½ digits with 0.39" LCD.
- Snap-In bezel eliminates the need for mounting hardware.
- Low power requirement (3mA) is ideal for battery powered applications.
- User-selectable Decimal Points.

Ordering Information

Part Number	Meter Input
HDMO-65T	200mV
HDMO-66T	2V
HDMO-67T	20V

Accessories

C10-5	5" - 10 Pin Connector / Wire Assembly
J1C10	12" - 10 Pin Connector / Wire Assembly
PW2-5	Regulated 120V AC to 5V DC Power Supply.
CVC	Calibrator

3½ Digit LCD

Specifications

Display

Digits:	3 ½ digits (±1999 counts)
Type:	0.39" (10mm) high contrast reflective LCD
Polarity:	automatic, "-" displayed
Decimal Points:	3 position, user-selectable
Overrange:	three lower order digits blank for inputs >1999 & < -1999

Inputs

Ranges:	±200.0 mV, ±2.000 V, ±20.00 VDC
Configuration:	bipolar, differential
Protection:	±350 VDC, (±100 VDC on 200 mV range)
Impedance:	>1 MΩ, (>10 MΩ on 200 mV range)

Performance

Accuracy:	±(0.1% + 1 counts) typical ±(0.2% + 2 counts) maximum
Conversion Rate:	3 per second
Normal Mode Rejection:	>30 dB @ 60 Hz
Common Mode Range:	±1 VDC
Common Mode Rej.:	>86 dB
Zero Adjustment:	automatic
Warmup:	10 minutes typical
Temperature Coeff.:	± 100 ppm per °C typical

Environment

Operating Range:	0 to 50 °C
Storage Range:	-10 to 70 °C

Power Supply

Voltage:	+5 VDC (±5%)
Current:	3 mA

Mounting

snap-in bezel mount

Connection

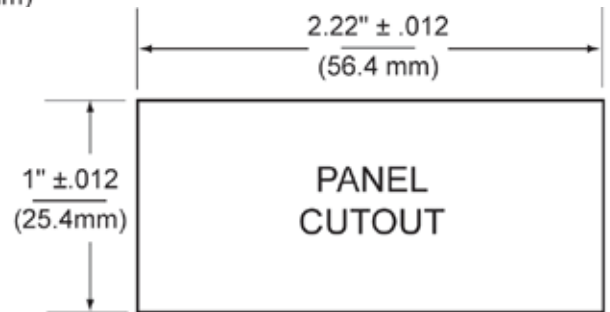
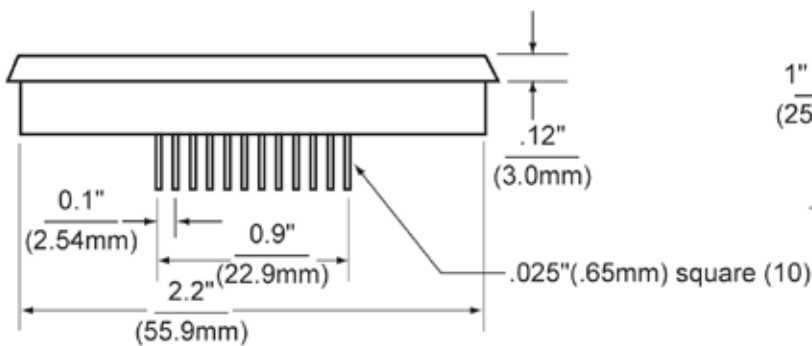
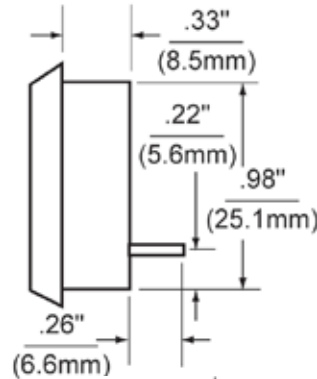
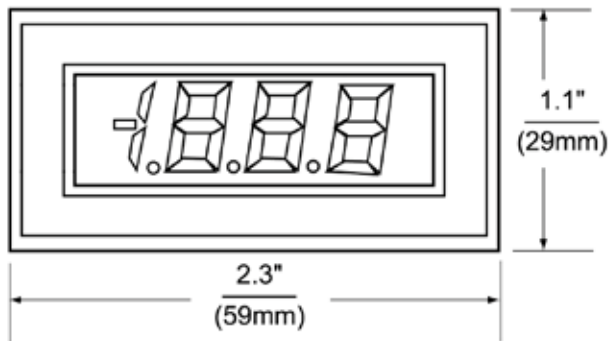
10 pins, 0.025" square on 0.1" centers



HDMO-6 Series

3.5 Digit LCD Panel Meter

Dimensions Inches (mm)



Wiring

Pin Name	Description
+5V	+5V DPM POWER SUPPLY
GND	DPM POWER SUPPLY GROUND
DP.C	DECIMAL POINT RETURN
DP.1	1XX.X
DP.2	1X.XX
DP.3	1.XXXX
IN (+)	POSITIVE INPUT SIGNAL
IN (-)	NEGATIVE INPUT SIGNAL
NC	NO CONNECTION REQUIRED
NC	NO CONNECTION REQUIRE