



HLPI-4EW Series

4.5 Digit LCD Panel Meter

4½ Digit LCD with Loop Powered Board

Specifications

Display

Digits: 4 ½ digits (±19999 counts)
 Type: 0.45" (11.4 mm) 7 segment LCD

Backlighting:

Optional Red Negative (red numbers/black background)
 Optional Green Negative (green numbers/black background)
 Optional Amber Negative (amber numbers/black background)
 Optional Green Positive (black numbers/green background)

Polarity:

automatic, "-" displayed

Annunciators:

°F, °C, PSI, % user-selectable or V, A, KW, PF

Decimal Points:

4 position, user-selectable

Overrange:

four lower order digits blank for inputs >19999 & < -19999

Inputs

Ranges: 4-20 mA DC
 Configuration: bipolar differential
 Impedance: 300Ω nominal @ 20 mA

Performance

Accuracy: ±(0.1% fs + 2 count)
 Conversion Rate: 3 per second
 Normal Mode Rejection: >30 dB @ 60 Hz
 Adjustments: span (gain) and zero (offset) with course setting
 Warmup: 10 minutes typical
 Temperature Coeff.: ± 100 ppm per °C typical

Environment

Operating Range: 0 to 50 °C
 Storage Range: -10 to 70 °C

Power Supply

powered by the milliamp control loop
 Optional Backlight: 24 VDC at 35 mA typical

Mounting

snap-in bezel mount

Connection

2 screw terminal (4 with backlight)



Features

- Low-cost, high-performance replacement for many OEM DPMs.
- Optional RED, GREEN or AMBER backlighting.
- Window mount.
- Resistant to RF and EMI.
- 4½ digits with high-contrast LCD.
- 4-20 mA loop powered input.
- User-selectable, displayed engineering units.

Ordering Info

Art Number	Backlight Color	Backlight Power
LPI-4*EW	NO BACKLIGHT	NONE
LPI-4*EANW	NEG AMBER	24VDC
LPI-4*EGNW	NEG GREEN	24VDC
LPI-4*ERNW	NEG RED	24VDC
LPI-4*EGPW	POS GREEN	24VDC

*Add (P) for Power Engineering Units V, A, KW, PF

Accessories

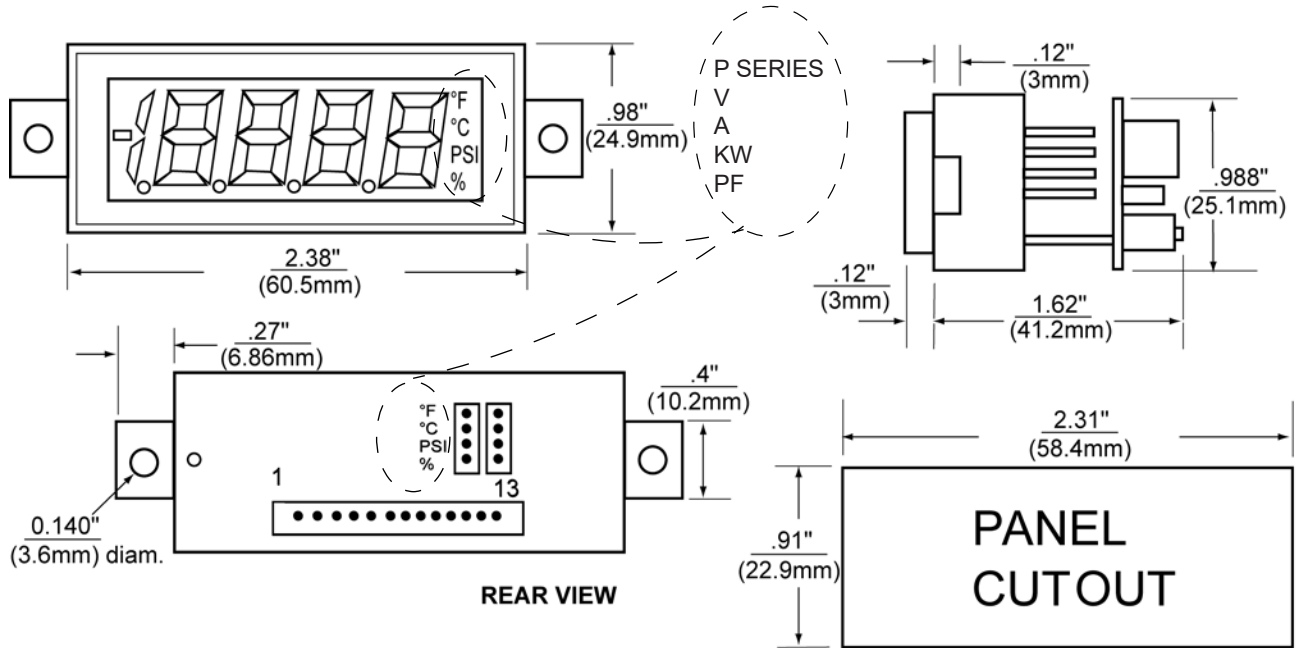
PW2-24	Regulated 120V AC to 24V DC Power Supply
CVC	Calibrator



HLPI-4EW Series

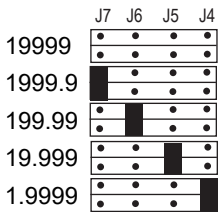
4.5 Digit LCD Panel Meter

Dimensions



Jumper Selection & Wiring

1. Decimal Selection:



2. J1, J2, J3 Selection:

IF: Min display is = 0 or
Min display is > 0 and
Max display ÷ Min display ≥ 5



IF: Min display is > 0 and
Max display ÷ Min display < 5



3. Span Jumper Section:

Span Factor	Set Jumpers
0-12	L
10-22	M
22-32	H

IF: Min display is ≤ 0 or

Min display is > 0 and Max display ÷ Min display > 5

Then: Span Factor = $\frac{2.5 (\text{Max display} - \text{Min display})}{4000 + 0.02 (\text{Min display}) - 0.004 (\text{Max display})}$

IF: Min display is > 0 and Max display ÷ Min display ≤ 5

Then: Span Factor = $\frac{\text{Max display} - \text{Min display}}{1600}$

4. Zero (Offset) Jumper Selection:

Zero Factor	Set Jumpers
0-3994	H
3320-7314	M
6640-10634	L

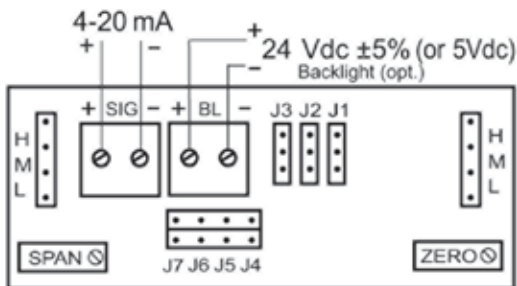
IF: Min display is ≤ 0 or

Min display is > 0 and Max display ÷ Min display > 5

Then: Zero Factor = $\frac{(250000 + \text{Min display})}{(250000 + 400 (\text{Span Factor}))} \times (83834) - 73200$

IF: Min display is > 0 and Max display ÷ Min display ≤ 5

Then: Zero Factor = $\frac{10634 - (\text{Min display} - 400 (\text{Span Factor})) \times 83834}{250000}$



Wiring