



3.5 Digit LCD Panel Meter

3½ Digit LCD with adder board for process inputs



Specifications

Display

Digits: 3 ½ digits (± 1999 counts)
 Type: 0.39" (10mm) high contrast reflective LCD
 Polarity: automatic, "-" displayed
 Decimal Points: 3 position, user-selectable
 Overrange: three lower order digits blank for inputs >1999 & < -1999

Inputs

Ranges: process inputs, 4 to 20 mA
 Configuration: bipolar, differential
 Protection: 30 mA max.
 Loop Burden: 300 Ω nominal @ 20 mA DC (loop powered)

Performance

Accuracy: $\pm(0.1\% + 1 \text{ counts})$ typical
 $\pm(0.2\% + 2 \text{ counts})$ maximum
 Conversion Rate: 3 per second
 Normal Mode Rejection: $>30 \text{ dB @ } 60 \text{ Hz}$
 Adjustments: automatic
 Warmup: 10 minutes typical
 Temperature Coeff.: $\pm 100 \text{ ppm per } ^\circ\text{C}$ typical

Environment

Operating Range: 0 to 50 $^\circ\text{C}$
 Storage Range: -10 to 60 $^\circ\text{C}$

Power Supply

powered by the 4-20mA current loop

Mounting

LCD: snap-in bezel mount
 Process Board: plugs onto DPM pins, adds approximately 0.6" (16mm) to depth

Connection

screw terminals on process board



Features

- Space saving design only 1.4" (35.6mm) deep.
- Occupies less than 2.5 x 1.1 inches of front panel space.
- High contrast LCD.
- 3½ digits with 0.39" LCD.
- Snap-In bezel eliminates the need for mounting hardware.
- User-selectable decimal points.
- Process input (4 to 20mA) adder board with multi-turn SPAN (GAIN) and ZERO (OFFSET) adjustments.
- Loop-powered.

Ordering Information

Part Number	Meter Input
LPI-1T	4 to 20mA Loop Powered

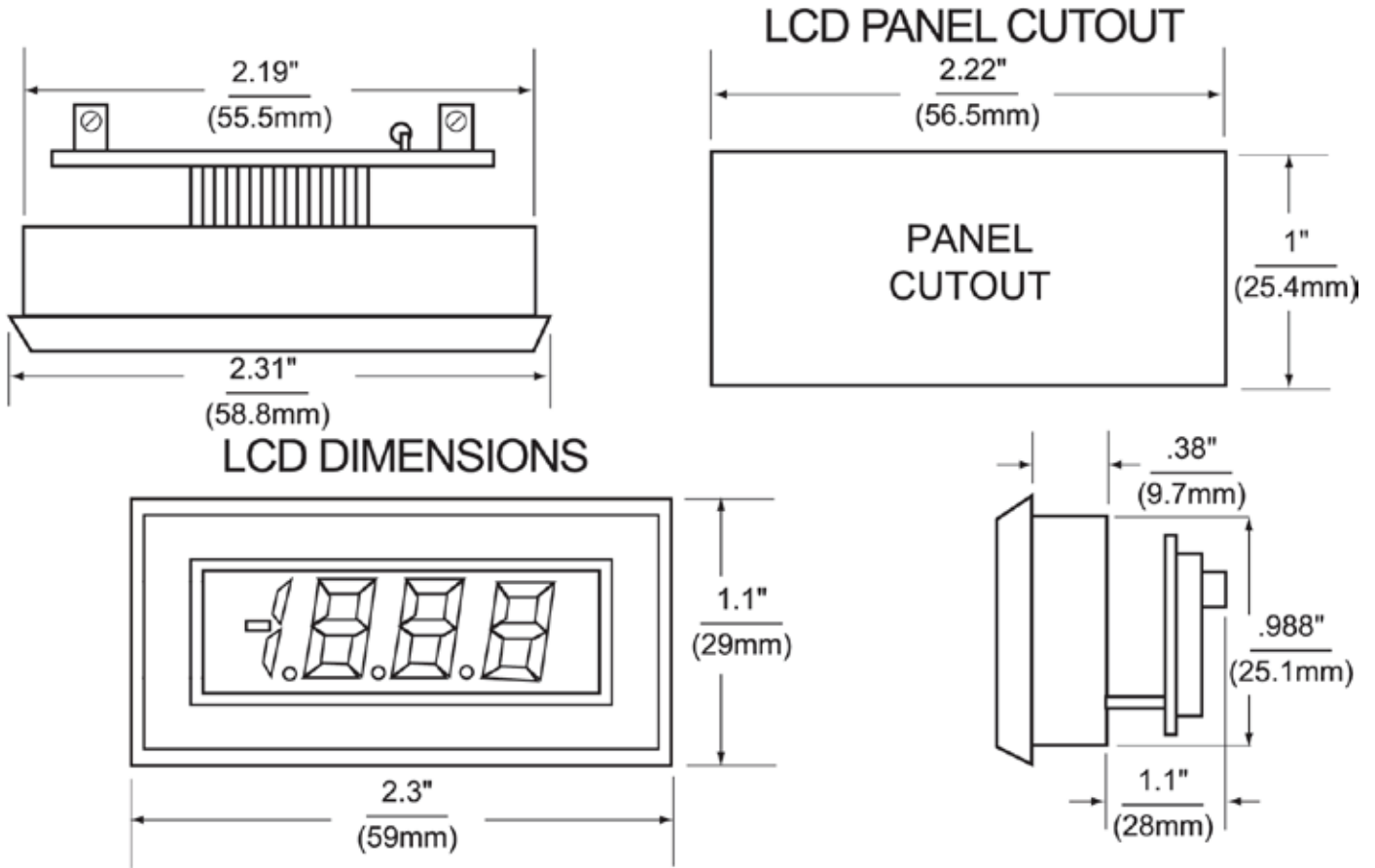
ACCESSORIES	
PW2-24	Regulated 120V AC to 24V DC Power Supply

CVC	Calibrator
-----	------------



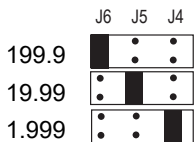
3.5 Digit LCD Panel Meter

Dimensions



Wiring

1. Decimal Selection:



2. J1, J2, J3 Selection:

IF: Offset (Zero) = 0 or
Offset (Zero) > 0 and
Gain (Span) ÷ Offset (Zero) ≥ 5



IF: Offset (Zero) > 0 and
Gain (Span) ÷ Offset (Zero) < 5

