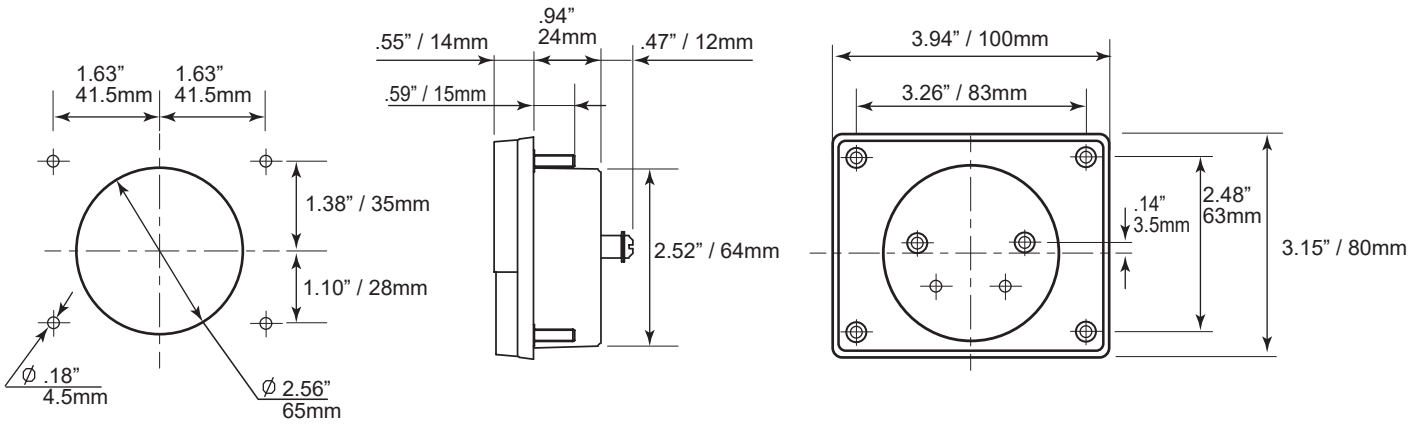


## HST-100 Dimensional Drawing Reference only



Panel Cut-Out