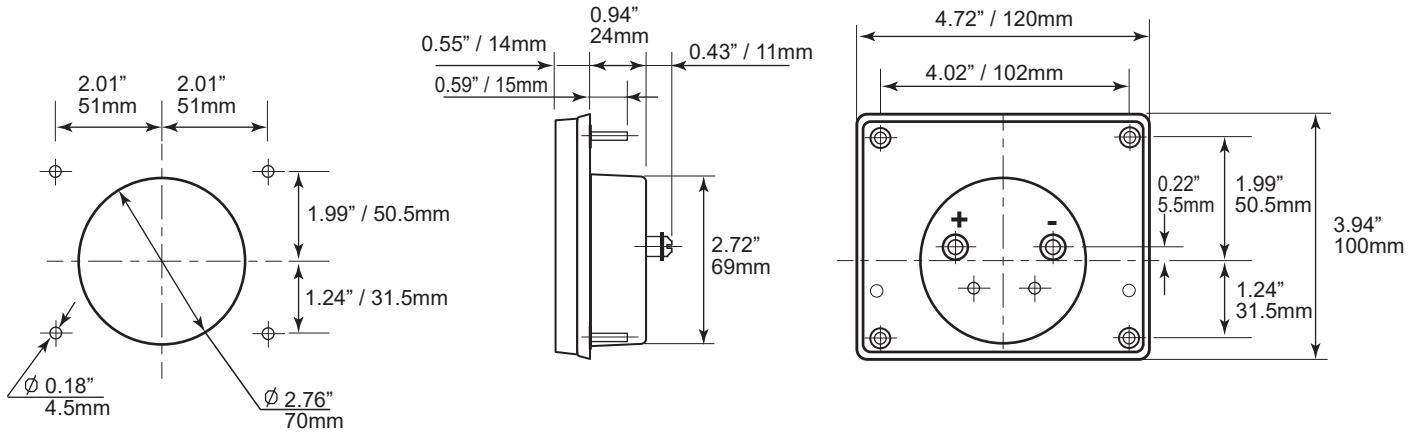


HST-110 Dimensional Drawing Reference only



Panel Cut-Out