



TWO-VUE COMBO

Switchboard Instruments



Hoyt TWO-VUE switchboard meters are combination Digital/Analog indicating instruments. They can be configured to accept VAC*, AAC*, VDC, or ADC input. Both the digital and analog displays can be modified to represent virtually any scaling or engineering units as required. The unit is contained in a 4-1/4" switchboard housing. It utilizes a pivot and jewel moving element and a 0.56", 3-1/2 digit display for indication (± 1999 counts).

FEATURES

- Analog and digital display to provide the ultimate in readability of power and control parameters.
- Drop-in replacement for upgrade of existing controls and switchgear panels.
- Rugged switchboard style case and IP54 rated cover.
- High-intensity LED digital displays with high reliability analog movements.
- Standard models for DC voltage and current, with custom scales and dials available as options.

SPECIFICATIONS

- Scaling: Scaling options are limited only in that there can be no offset zero scaling for the digital display.
- Overload: DC Voltage inputs: x1.2 continuous or 700V max, x1.5 for 10 seconds.
DC Current: x1.2 continuous, x1.5 for 10 seconds.
- Burden: VDC: <0.5 W @ 600 VDC
ADC: <0.5 W @ 1 ADC
- Isolation Test Voltage: 2 KV for 60 seconds aux. power to input, aux. power to case, input to case.
- Power supply: Voltage: 120V $\pm 15\%$ standard, optional 240V $\pm 15\%$, 125 VDC ± 15 VDC, 24 VDC ± 6 VDC, 48 VDC ± 12 VDC.
Frequency: 50/60 Hz ± 2 Hz (48 Hz to 62 Hz) Burden: <3.5 VA.
- Display: Analog: Pivot and Jewel, damped moving element with 220° deflection. 6.35" total scale length. White scale with black markings and black pointer (standard). Response time less than 2.5 seconds (0-90%).
Optional features include alternate black scale plates, custom logos, colored lines, segments or scales, white or Day-glo orange pointer. Center and offset zero are available. The analog display may be scaled to any scaling ratio or to represent any engineering units as required. No external zero regulator.
Mechanical zero adjust with special tool. Internal adjustment for electrical zero and FS.

* External transducer required



TWO-VUE COMBO

Switchboard Instruments



SPECIFICATIONS

- Display: Digital: 3 1/2 digit, 7 segment display 0.56" (14.2mm) digit height. Red or green LED. Negative polarity indicator. Selectable decimal point settings. Update rate is 2.5 times per second. Response time less than 1 second (90%).
- Accuracy: Reference conditions 25° C.
Analog: $\pm 1\%$ of full scale deflection.
Digital: AC $\pm 0.1\%$ of reading ± 3 counts. DC ± 2 counts.
- Temperature Coefficient: 200 ppm/°C of full scale for digital display. Less than 1% additional analog display error over operating temperature range.
- Long Term Stability: Analog: $\pm 0.8\%$.
Digital: ± 2 counts.
- Warm Up time: 10 minutes.
- Cover: Polycarbonate UL94V0 rated cover and window.
- Terminal Plate: Phenol Resin.
- Enclosure Rating: IP54 (Dust Proof/Splash Proof).
- Weight: <2.5 lbs (1134g) including all mounting and connection hardware.
- Operating Temperature: 0° to 60°C, 32° to 140°F.
- Storage Temperature: -20° to 70°C, -4° to 158°F.
- Humidity: 90% non-condensing relative humidity @ 40°C, 104°F.
- Isolation Voltage: 2kV for 1 minute between input and case, input and aux. power, aux. power and case.
- Vibration: 8-42 Hz, 0.1 to 2 g, 3 axis.
- Shock: 50 g @ 7 ms for 10 shocks, 3 axis.
- Calibration: Recommended calibration interval is 2 years.



TWO-VUE COMBO

Switchboard Instruments

INPUT RANGES/SCALES

INPUT	RANGE/SCALE	INPUT	RANGE/SCALE
VDC	0-50 mV	VAC* External Transducer Required	0-150 V
	0-100 mV		0-250 V
	0-200 mV		0-300 V
	50-0-50 mV		0-600 V
	100-0-100 mV	TRANSFORMER RATED (150V)* External Transducer Required **	0-150 V / 0-250 V
	200-0-200 mV		0-150 V / 0-300 V
	0-10 V		0-150 V / 0-500 V
	0-100 V		0-150V / 0-600 V
	0-150 V		0-150V / 0-750V
	0-300 V		0-150V/ 0-1500V
	0-600 V		0-150V / 0- 3.00 kV
	10-0-10 V		0-150V / 0-5.00 kV
	100-0-100 V		0-150V / 0-5.25 kV
	150-0-150 V		0-150V / 0-6.00 kV
	300-0-300 V		0-150V / 0-9.00 kV
	600-0-600 V		0-150V / 0-15.00 kV
	ADC		0-200 uA
0-500 uA		0-5 A	
200-0-200 uA		TRANSFORMER RATED (5A)* External Transducer Required	0-5 A / 0-10.00 A
500-0-500 uA			0-5 A / 0-15.00 A
0-1 mA			0-5 A / 0-20.0 A
0-10 mA			0-5 A / 0-25.0 A
0-100 mA			0-5 A / 0-30.0 A
0-500 mA			0-5 A / 0-40.0 A
0-1 A			0-5 A / 0-50.0 A
1-0-1 mA			0-5 A / 0-75.0 A
10-0-10 mA			0-5 A / 0-100.0 A
100-0-100 mA			0-5 A / 0-150.0 A
500-0-500 mA			0-5 A / 0-200.0 A
1-0-1 A			0-5 A / 0-250.0 A
1-5 mA			0-5 A / 0-300.0 A
4-20 mA		0-5 A / 0-400.0 A	
10-50 mA		0-5 A / 0-500.0 A	
		0-5 A / 0-600.0 A	
		0-5 A / 0-800.0 A	
		0-5 A / 0-1000.0 A	
		0-5 A / 0-1200.0 A	
		0-5 A / 0-1500.0 A	

** Specialty Scale

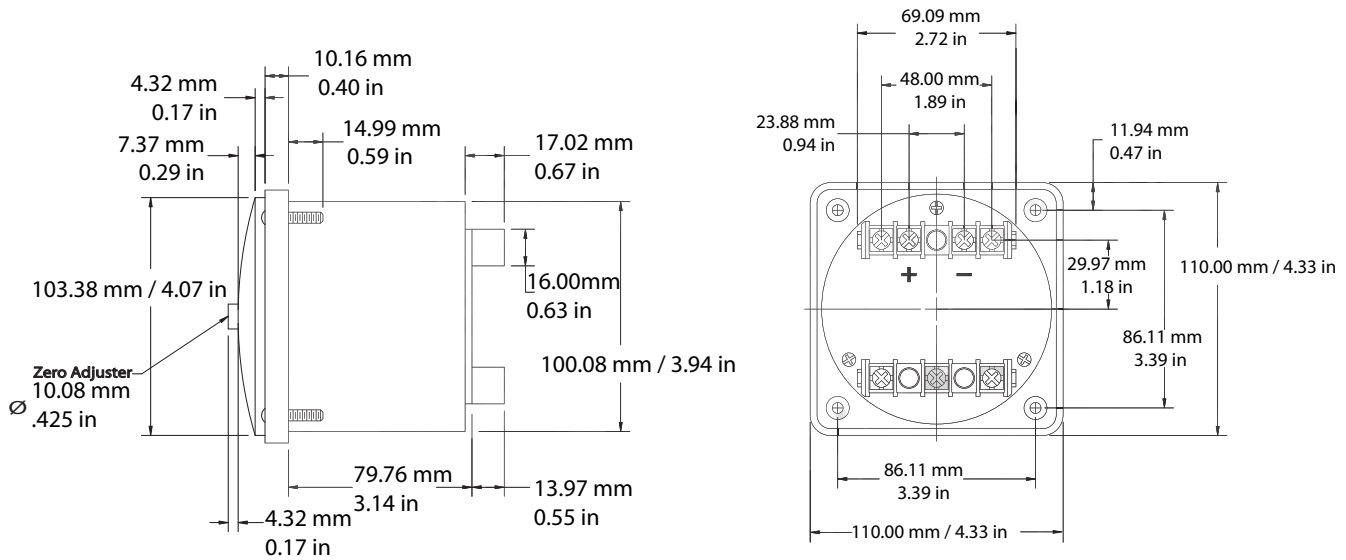
* Transducer Required, 0-10 VDC Output



TWO-VUE COMBO

Switchboard Instruments

DIMENSIONS



PANEL CUT-OUT

