



300 & 500 Series Elapsed Time Indicators

Analog Panel Meters

FEATURES

- The solid state electronic drive circuitry in the 502 and 503 HRM/ HRD series effects longer life with no motor and less moving parts.
- Electronic actuation assures accuracy by eliminating delicate springs and mechanical clock mechanisms that can be affected by vibration and temperature.



502 HRM (Mechanical)
502 HRD (LCD Digital)



503 HRD (LCD Digital)
503 HRM (Mechanical)

MODELS	A	B	C	D	E	F	G	H
502HRM	2.71	2.71	1.88	1.88	2.08	2.16	0.47	0.50
503HRM	3.50	3.50	2.25	2.25	2.60	2.16	0.50	0.50
502HRD	2.71	2.71	1.88	1.88	2.08	1.16	0.47	0.50
503HRD	3.50	3.50	2.25	2.25	2.60	1.16	0.50	0.50

MODELS	I	J	K	L	M	N	O	P
502HRM	0.50	0.48	0.97	0.00	0.61	1.22	2.11	1/4-28
503HRM	0.50	0.48	0.97	0.13	0.79	1.58	2.74	1/4-28
502HRD	0.50	0.48	0.97	0.00	0.61	1.22	2.11	1/4-28
503HRD	0.50	0.48	0.97	0.13	0.79	1.58	2.74	1/4-28

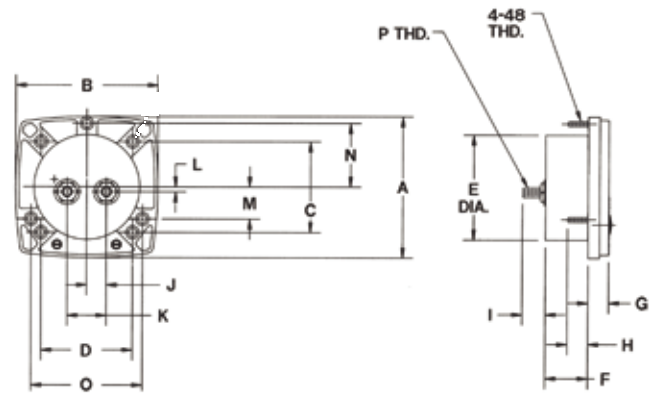
SPECIFICATIONS

- Accuracy:** Matches frequency control of power system. $\pm 1\%$ Quartz accuracy
- Vibration Shock:** Meets ANSI specification C39.1
- Case Construction:** Lexan case construction, brass terminal studs
- Ranges Available:** All meters available to operate 120, 240 VAC, 50 or 60 Hertz
- Weather Resistant:** All 5000 Series meters are weather resistant. Gasket between base and cover protect counter
- Display:** Easy to read 10,000 or 100,000 hour numeric display
- Power Rating:** 0.6 watts
- Operating Temperature:** From -25° to 185° F (-32° to 80° C)

DIMENSIONS



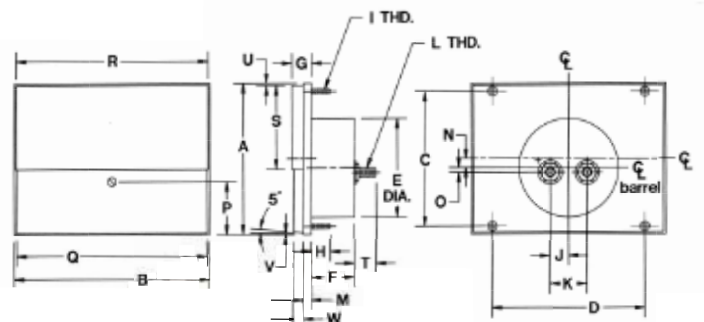
Recognized meters



312 HRM (Mechanical)
312 HRD (LCD Digital)



313 HRM (Mechanical)
313 HRD (LCD Digital)



MODELS	A	B	C	D	E	F	G	H	I	J	K	L	M	N	O	P	Q	R	S	T	U	V	W
312HRM	2.29	2.99	1.88	1.88	2.08	2.16	0.40	0.50	4-48	0.48	0.97	10-32	0.16	0.00	0.00	0.86	2.89	2.91	1.23	0.50	0.06	0.04	0.19
313HRM	2.89	3.70	2.25	2.25	2.60	2.16	0.42	0.50	4-48	0.48	0.97	10-32	0.18	0.00	0.12	0.96	3.59	3.62	1.55	0.50	0.06	0.04	0.19
312HRD	2.29	2.99	1.88	1.88	2.08	1.16	0.40	0.50	4-48	0.48	0.97	10-32	0.16	0.00	0.00	0.86	2.89	2.91	1.23	0.50	0.06	0.04	0.19
313HRD	2.89	3.70	2.25	2.25	2.60	1.16	0.42	0.50	4-48	0.48	0.97	10-32	0.18	0.00	0.12	0.96	3.59	3.62	1.55	0.50	0.06	0.04	0.19