



5015/5016 Series

Panel Meters



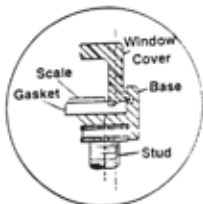
1½"

5015 ■ D.C. Moving Coil
5016R ■ A.C. Rectifier

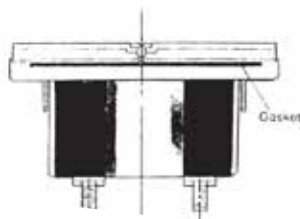
■ Equivalent to Yokogawa Big Look®
(use 2 stud mounting option)

FEATURES

■ **Gasket Sealing Design.** Dust resistant construction is a standard feature in the 5000 Series panel instruments. This unique sealing design provides exceptional gasket sealing while allowing for quick modification and scale changes while maintaining the integrity of the instrument
*External panel gasket available.



■ **Dustproof Lexan® Construction.** 5000 Series panel meters feature gasketed construction to seal out dust and other air-suspended damaging particles. The 5000 Series is made with UL 94V material. Ideal where impact and strength is required in harsh environments.



SPECIFICATIONS

ANSI Specifications:	All meters meet ANSI Specifications C39.1
Overload:	Voltmeters (AC and DC) - 50% momentary 20% sustained. Ammeters (AC and DC) momentary: 10 times the rated current for 10 consecutive intervals of .5 seconds with a 1 minute interval between successive applications; 20% for six hours.
Scale Data:	90 degree rotation.
Insulation Level:	All meters 2600 V RMS.
Accuracy:	All DC and AC: ±2% of full scale.

AC rectifier type ±3% of full scale (with 60 HS sine wave at 250°C). When standard 60 HZ iron vane ammeters are used at the extreme limits of 25 or 400 HZ, additional error (approx. 0.75%) may be experienced. Expanded scale voltmeters ±2% of full scale value.

METER TYPES AVAILABLE:

DC:	Microammeters (UADC) Milliammeters (MADC) Ammeters (ADC) Millivoltmeters (MVDC) Voltmeters (VDC) Pyrometers Hourmeters (HRM)
AC:	Milliammeters (MAAC) Ammeters (AAC) Voltmeters (VAC) Hourmeters (HRM) Frequency Meters - Pointer type (HZ)



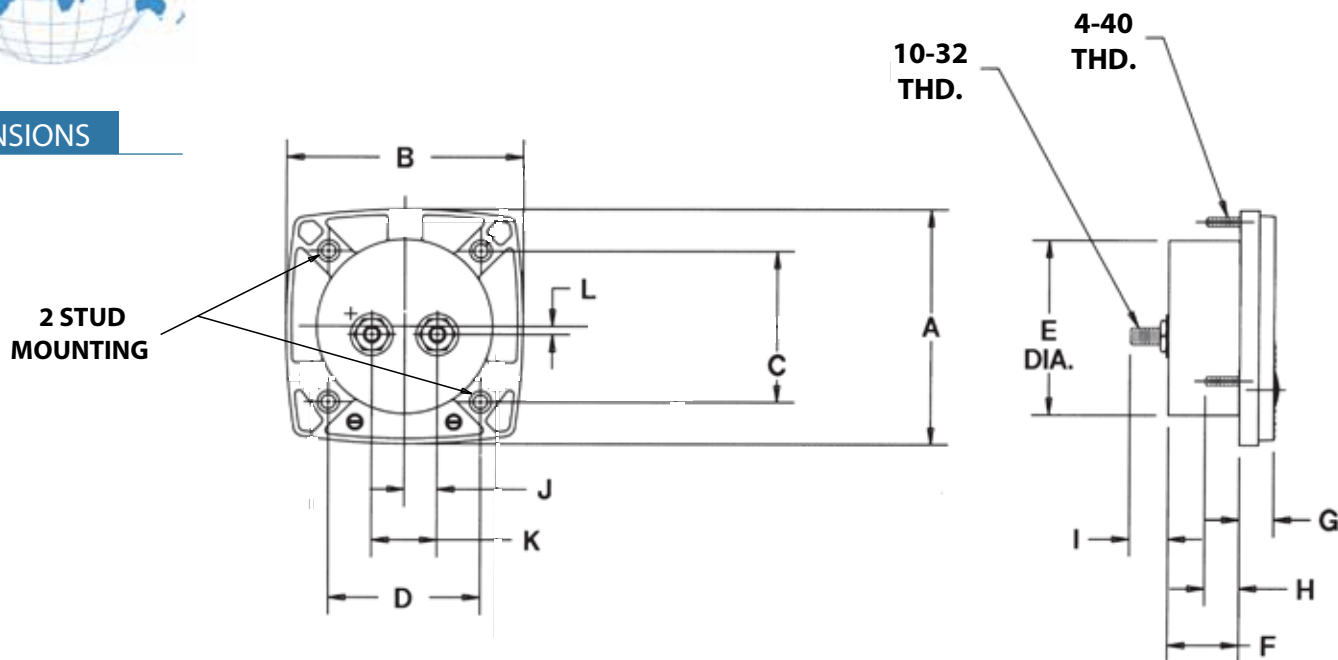
AVAILABLE



5015/5016 Series

Panel Meters

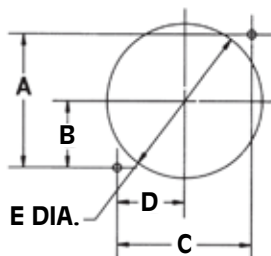
DIMENSIONS



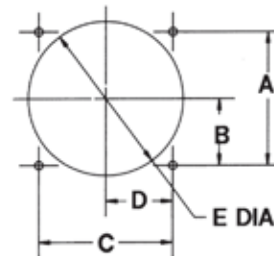
MODELS	A	B	C	D	E	F	G	H	I	J	K	L
5015/16	1.76	1.76	1.31	1.31	1.50	1.08	0.48	0.50	0.50	0.48	0.97	-0.22

MOUNTING IN YOUR PRESENT PANEL OPENING

2 STUD (USE THIS OPTION FOR YOKOGAWA EQUIVALENT)



4 STUD



MODELS	A	B	C	D	E
5015/16	1.31	0.66	1.31	0.66	1.59

The mounting studs on the 5000 Series can be ordered to fit your existing panel openings at no extra cost. The 5000 Series cases are interchangeable with a wide variety of competitive instruments. Optional stud placement configurations are shown above. This built-in interchangeability eliminates the need for drawing changes, setups, and redrilling of panels...and it solves your instrument replacement problems. If you require a 2-stud option different than the option shown above please consult the factory.