



KWhr / Demand Meters

K4000

Series K4000 Three Phase Kilowatt Hour Meter Series KW4000 Three Phase Kilowatt Hour / kW Demand Meter

Features:

- Six Digit kWh LCD Display (no multipliers)
- Voltage Per Phase
- Amperage Per Phase
- kW Per Phase
- Remote CT Operated (up to 10,000 Amps)
- kWh Pulse (Form A Relay)
- RS485 Modbus Communications (included)
- Plug In Terminals for Field Testing
- Rate LED Indicates Relay Operation
- LCD Display Shows Correct / Incorrect Wiring

Specifications:

- NEMA 1 ABS Plastic Enclosure
- Temp Range: -10 – 120 Degrees F
- Humidity: 95% Non Condensing
- Pulse Relay: 120 VAC .5 Amp Resistive
- Meter Consumption: 0.2 Amps
- Burden: CT Burden 0.6 VA
- Isolated CT Circuit
- Microprocessor Based – Ram Based – No Batteries

Accuracy:

- Power: 0.5%
- Energy: 0.2%
- ANSI C12.16

Compliance:

- Accuracy: ANSI C12.16
- FCC: Class A Part 15
- UL/CUL/CSA Listed
- Michigan Compliant
- NYC Approved

Current Transformers:

- Includes 3 – LX400 CTs
- (+/- 1% between 4 – 400 Amps)
- Other Solid Core – Bar Type – Split Cores CTs up to 10,000 Amps Available

Communication Options:

- Hard Wired Modbus Data– (up to 255 meters on one 2 wire circuit)
- Wireless Modbus RS485 Data
- Power Line Carrier
- Ethernet Converter (for direct Internet connection through LAN)

**Models:****Kilowatt Hour Meters:**

- K4240 120/208 and 240 VAC 3 or 4 Wire
- K4480 277/480 and 480 VAC 3 or 4 Wire

Kilowatt Hour / kW Demand Meters:

- KW4240 120/208 and 240 VAC 3 or 4 Wire
- KW4480 277/480 and 480 VAC 3 or 4 Wire
- (Max / Peak kW value reset with key)

Meter Option:

- Green Meter Option Displays...
CO2 (LBS) and Total Cost (\$) of kWh Consumed

Software:

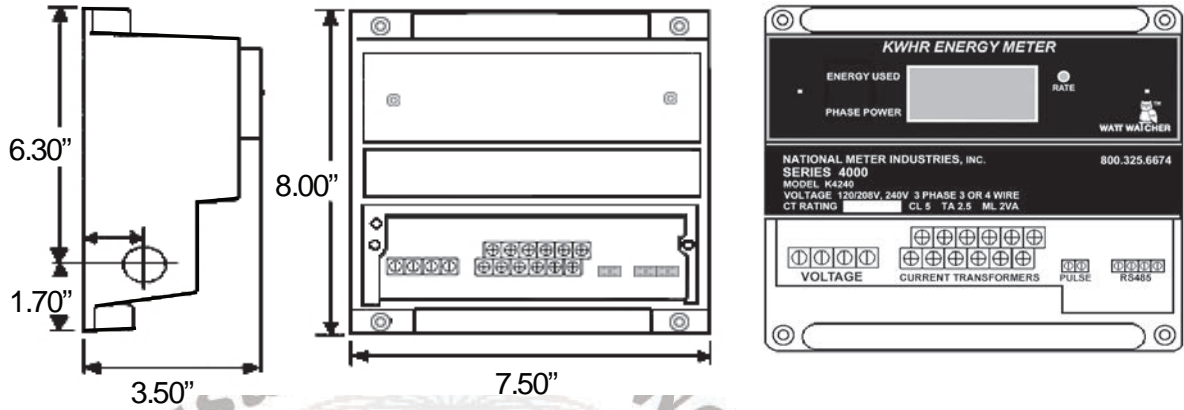
- Reading & Billing (R&B v2.0)
- Power Analyzing and Trending (Powerstudio)



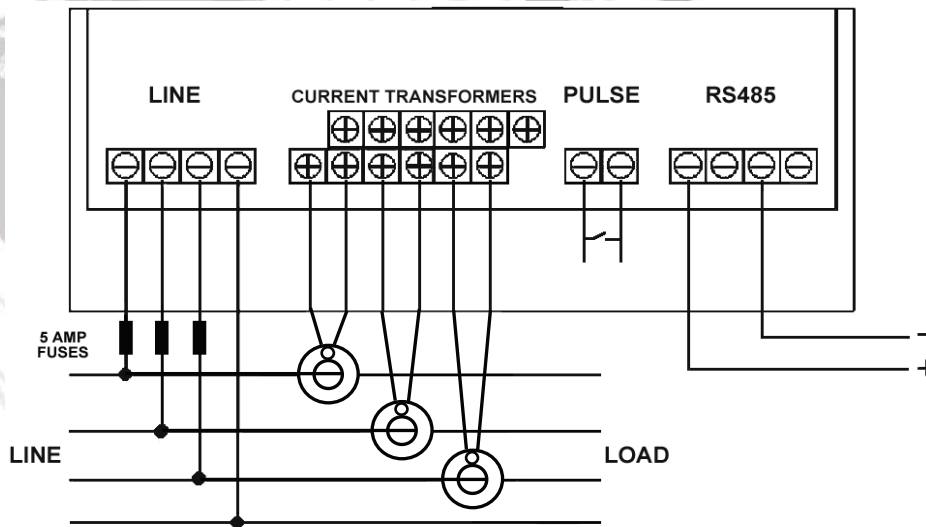
KWhr / Demand Meters

K4000

Series 4000 Dimensions



Typical Wiring Diagram



Hard Wired Communications

