



T-1KW1

Energy Metering



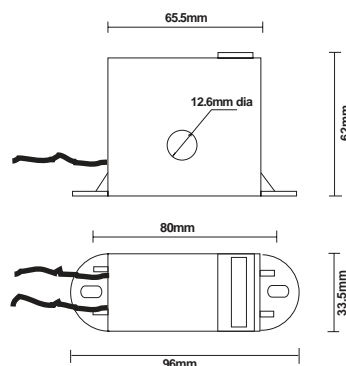
The latest technology results in the most compact kWh meter yet

Carrel and Carrel have used the latest in DSP semiconductor techniques and SMD circuitry to produce an extremely compact electronic kWh meter which is intended to replace clumsy mechanical meters. To avoid using bulky terminals the current path passes through an inbuilt CT via a hole through the case. In addition to the integral 6 digit counter the meter can be supplied in a version which has an NPN open collector pulse output for use with data loggers or similar electronic recorders or controllers.

Specifications

Inputs : 0 - 15 - 60A ac, 230V ac or 110V ac
 Outputs : Integral 6 digit counter with 0.1 kWh units and (optionally) NPN open collector opto-coupler with 250msec pulses = 0.1 kWh 80V 50mA max.
 Accuracy : Class 1 (IEC 61036)
 Cuto : <1 Watt

Dimensions



Note: Unit available with Din rail adaptor

Connections

