



Hoyt Test Equipment Accessories

Adapters

AL11-C2	2
AL11-C4	2
AL11-C6	2
TEL-AL11-C2	3
TEL-AL11-C2	3
S5K	4
S5F	4
AL-39C	4

Alligator Clips

AL-19C	5
AL-20C	5
AL-21C	5
AL-23CA	6
AL-25C	7
AL-26C	8
AL-26CA	8

Terminals

TER-6200	9
TER-205	9
TER-305	9
TER-2000	9

Pouches / Holsters

CAC-860 B	10
CAC-855 B	10
CAC-1132	10
CAC-2120	10
CAC-1120 A	10
CAC-2700 A	10

Pouches / Holsters

CAC-600	10
CAC-3600 B	10
CAC-EARTH B	10
CAC-183 CB A	10
CAC-180 CB B	10
CAC-275 Y	10
CAC-2310	10
CAC-TEL	10
CAC-3501 NO	10
CAC-VOT50	10
CAC-HLV-3	11
CAC-PT30	11
CAC-CABLE	11
CAC-AL38	11
CCO-2700 B	11
CCO-6400	11
CAC-276	11
CAC-276S	11
CAC-4EARTH	11
CAC-230	11
CAC-290	11
CAC-120	11
CAC-120 B	11
CAC-175-7	11

Various Accessories

CA-232	12
1026 AH	12

AL-11 Series Adapters

CE



AL11-C2 Adapter

- Tip : 2-4 mm
- Rating : EN 61010-031:2002 + A1:2008
CAT IV 600V 15A / CAT III 1000V 15A
- Red and Black each(set)
- Tip : Stainless Steel, sharp tip.
- Jack : Nickel Plated, 4mm banana Jack.
- The probe tip could screw into crocodile clips.
- Probes can be used with all SEW 4mm jack test leads.

CE



AL11-C4 Adapter

- Tip : 4 mm
- Rating : EN/IEC 61010-031:2002 + A1:2008
CAT IV 600V 15A / CAT III 1000V 15A
- Red and Black each(set)
- Tip : 4mm Stainless Steel caged banana probe tip.
- Jack : Nickel Plated, 4mm banana Jack.
- The probe tip could be used into non-screw crocodile clips.
- Probes can be used with all SEW 4mm jack test leads.

CE

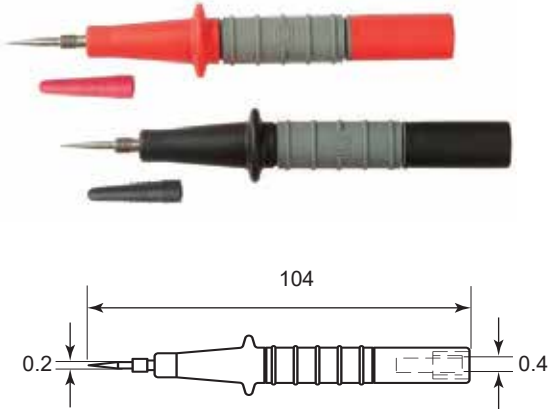


AL11-C6 Adapter

- Tip : 2 mm
- Rating : EN 61010-031:2002 + A1:2008
CAT IV 600V 15A / CAT III 1000V 15A

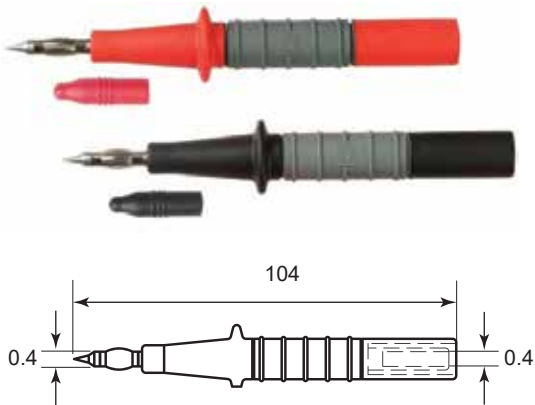
TEL-AL-11 Series Adapters

TEL-AL11-C2 Adapter



- Red and Black each(set)
- Tip : Stainless Steel, sharp tip.
- Jack : Nickel Plated, 4mm banana Jack.
- The probe tip could screw into crocodile clips.
- Probes can be used with all SEW 4mm jack test leads.

TEL-AL11-C4 Adapter



- Red and Black each(set)
- Tip : 4mm Stainless Steel caged banana probe tip.
- Jack : Nickel Plated, 4mm banana Jack.
- The probe tip could be used into non-screw crocodile clips.
- Probes can be used with all SEW 4mm jack test leads.

TEL-AL-11 Series Adapters



S5K Adapter

- Material : Nylon
- Red and black each (set)
- Tip: Knife Stainless steel
- Jack: Nickel Plated, 4mm banana Jack.
- Probes can be used with all SEW 4mm jack test leads
- Rating :
EN 61010-031:2002+A1:2008
CAT IV 1000V 10A



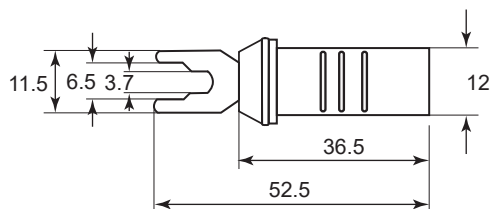
S5F Adapter

- Material: Nylon
- Red and black each (set)
- Removable cap for attaching alligator clips
- Probes can be used with all SEW 4mm jack test leads.
- Rating : EN 61010-031:2002 + A1:2008
CAT IV 1000V 0.5A/CAT IV 690V 2A
CAT IV 500V 10A/CAT IV 250V 10A



AL-39C Adapter

Solid copper spade lug. Designed to fasten housing or screws for measurement.
Fully insulated, axial mount 4mm banana jack.
Designed especially for terminal posts,
The Y-shaped tip accepts housings or screws that have a diameter of 6.5mm or less.



Alligator Clips

AL-19C

- AL-19C-1 For 2mm probe tip
- AL-19C-3 For 4mm banana plug
- AL-19C-5 For 2mm probe tip (only for exposed 4mm probe tip)
- Rating : EN 61010-031:2002 + A1:2008
CAT III 1kV 10A
CAT IV 600V 10A

AL-20C

- AL-20C-1 For 2mm probe tip
- AL-20C-3 For 4mm banana plug
- AL-20C-5 For 4mm screw
- Rating : EN 61010-031:2002 + A1:2008
CAT III 1kV 10A
CAT IV 600V 10A

AL-21C

For 4mm banana plug

AL-21C 2-4

For 4mm screw



CE

CE

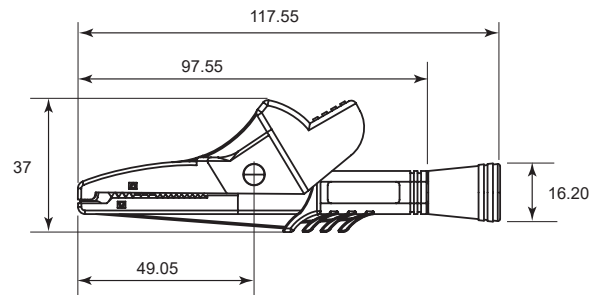
Alligator Clips

CE



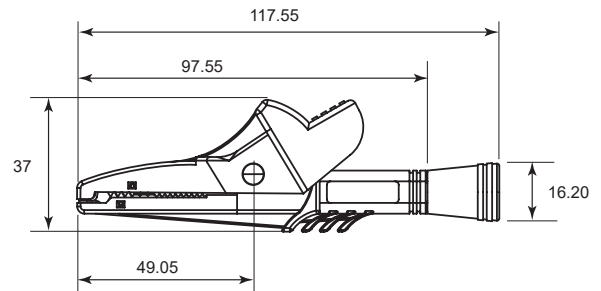
AL-23CA

- For 4mm banana plug
- EN 61010-031:2002 + A1:2008
- CAT IV 1kV 20A



AL-23CA 2-4

- For 4mm screw
- EN 61010-031:2002 + A1:2008
- CAT IV 1kV 20A

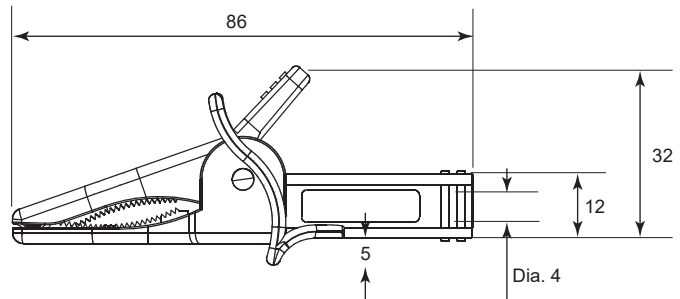


Alligator Clips



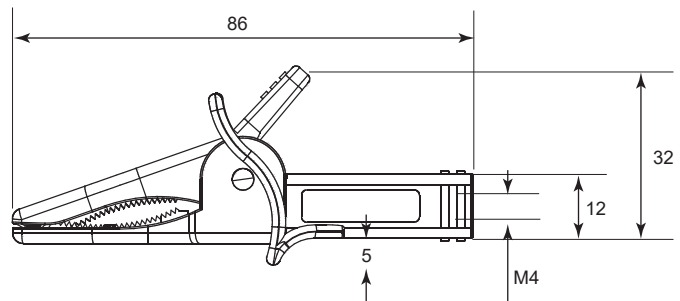
AL-25C

- For 4mm banana plug
- EN 61010-031:2002 + A1:2008
- CAT III 600V 10A



AL-25C 2-4

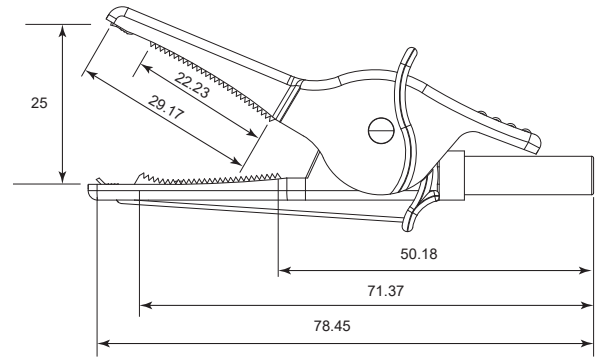
- For 4mm screw
- EN 61010-031:2002 + A1:2008
- CAT III 600V 10A



Alligator Clips

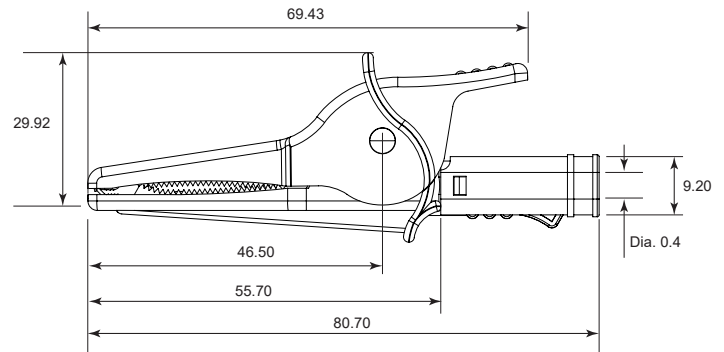
AL-26C

- Probes can be used with all SEW 4mm jack test leads.
- EN 61010-031 CAT III 600V 10A
- Color : Red, Black.



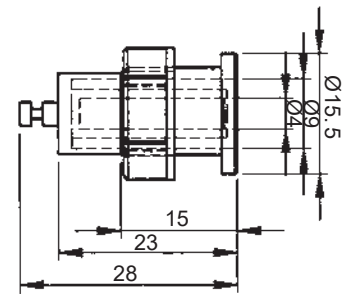
AL-26CA

- Probes can be used with all SEW 4mm jack test leads
- Rating: EN 61010-031: 2015 CAT III 600V 10A
- Color:
 - AL-26CAB Black
 - AL-26CAR Red
 - AL-26CAG Green
 - AL-26CABU Blue
 - AL-26CAW White



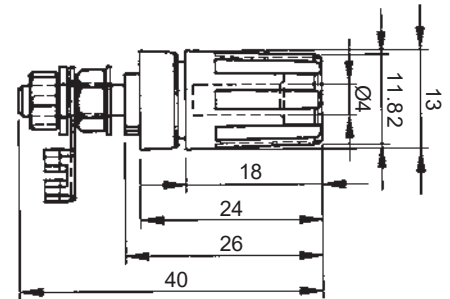
TER-6200

- Sockets nylon
- 4 m/m sockets with shrouded contact compatible with shrouded plugs and leads supplied with nuts for panel mounting.
- TER-6200B Black
- TER-6200R Red
- TER-6200G Green



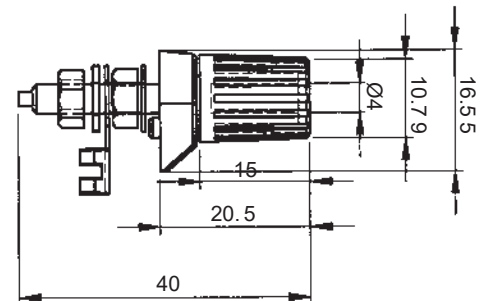
TER-205

- 4 m/m sockets with insulated head and base for installation in unit.
- ABS resin head.
- TER-205B Black
- TER-205R Red



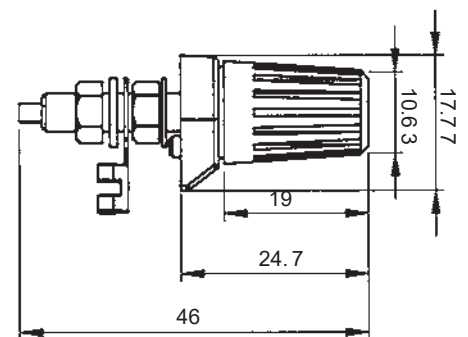
TER-305

- 4 m/m banana socket captive head suitable for wire or pin-type test head bakelite material head and base.



TER-2000

- 5 m/m captive head suitable for wire or pin-type test head bakelite material base.



Soft Pouches / Holsters



CAC-860 B
138×167×47mm



CAC-855 B
172×153×65mm



CAC-1132
190×140×75mm



CAC-2120
200×165×60mm



CAC-1120 A
202×135×155mm



CAC-2700 A
230×125×130mm



CAC-600
220×125×50mm



CAC-3600 B
257×141×65mm



CAC-EARTH B
240×138×47mm



CAC-183 CB A
245×165×66mm



CAC-180 CB B
260×115×51mm



CAC-275 Y
270×130×60mm



CAC-2310
240×90×40mm



CAC-TEL
190×93×35mm



CAC-3501 NO
125×98×35mm



CAC-VOT50
140×70×40mm

Soft Pouches / Holsters



CAC-HLV-3
135×85×55mm



CAC-PT30
195×50×35mm



CCO-6400
For 6400DM 6410DM
6420DM 6470TB



CCO-2700 B
For 2700 series



CAC-CABLE
For LVD-15 LVD-17



CAC-AL38
For Alligator Adapter



CAC-276S
300×55×55mm



CAC-276
387×40×39mm



CAC-120
1530×120mm

CAC-230
1000×120mm
CAC-290
1420×120mm

CAC-175-7
1600×130mm

CAC-120 B
1940×230mm



CAC-4EARTH 500×220×110mm

CA-232 data transmission cable



- Optical USB to RS-232 data transmission cable.
- Well isolated to contact.
- Well surge protection.
- 2 optical LEDs are built-in for data transfer.
- Typical baud rate can reach up to 115200 bps (bits per second).
- Powered by the USB port, no external power adapter is required.
- SEW standard product for isolated data transfer.

1026 AH Accessories for Hot Sticks and HV Detectors



- Content : ADP-HS120, HOK-HS166, ADP-278
- Dimension of the carry case : 243(L) × 126(W) × 46(D) mm
- Weight of the whole set : Approx. 386g



- **ADP-HS120**
Fuse extractor head
Material : Nylon



- **HOK-HS166**
Disconnect hook
Material : Aluminum alloy



- **ADP-278**
Shotgun adapter
Material : Aluminum alloy