



Models: 17/3MM & 552MM

Industrial Ruggedizes Panel Meters



2.5" 17/3MM DC Moving Coil

2.5" 552MM AC Repulsion

Features

- Industrial Ruggedized Series was designed to meet industrial requirements where rugged metal cases with glass fronts provide long service under adverse conditions.
- High current ammeter ranges with external shunt are available, as are special or non-standard ranges.
- They are dustproof and waterproof, meeting NEMA4 and ANSI C39.1 specifications and performance standards.
- Special Dials are available with the following options: Additional Colors, Scales, Special Legends, Logo and Mirrors.
- Available with or without illumination.

DC Ranges: Microammeters, Milliammeters, Ammeters, Millivoltmeters, Voltmeters.

AC Ranges: Milliammeters, Ammeters and Voltmeters.

■ Equivalent to Yokogawa 2.5" Tough Meters (Model: 270-2, 271-2)

Specifications

Overload:

Voltmeters (AC and DC): 50% momentary 20% sustained.

Ammeters (AC and DC): momentary 10 times the rated current for 10 consecutive intervals of .5 seconds with a 1 minute interval between successive applications; 20% for six hours.

Accuracy: ±2% full scale value.

Resistance: ±20%.

Dials: 90 and 100 degree arc, black lettering on white background.

Pointer: Knife Edge.

Movement: Pivot and Jewel, Iron Vane or Taut Band.

Mounting: Surface mount.

Case: Brass with Sealing Gaskets.

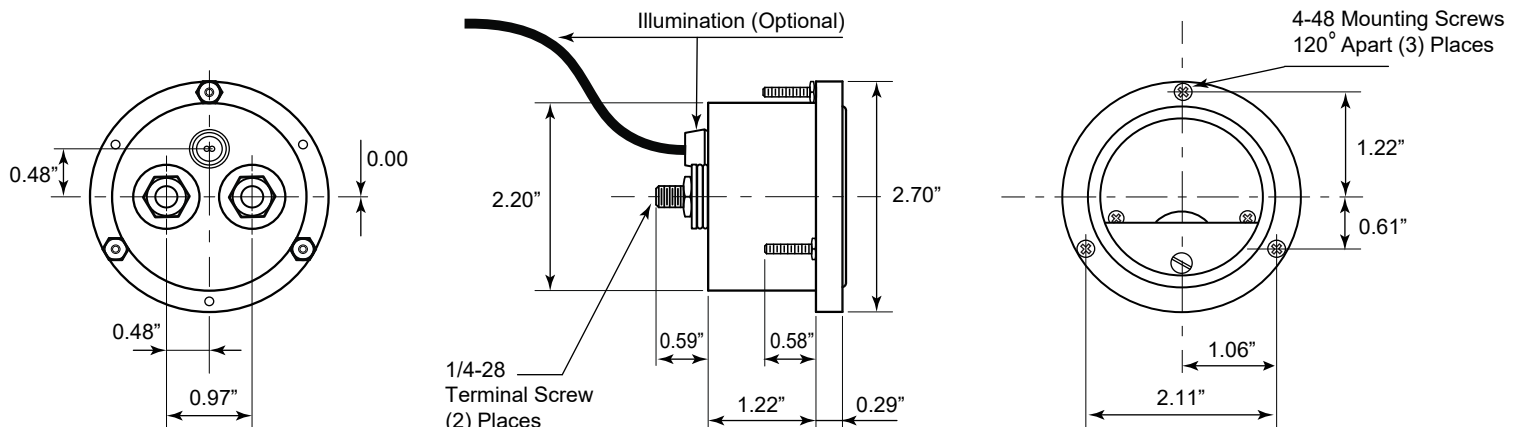
Operating Temperature: -50°F to 150°F (-45.5°C to 65.5°C).

Relative Humidity: 20% to 80%RH (Nominal Use).

Meter Approvals: ANSI C39.1, NEMA4, RoHS, REACH.

Origin: Made in USA.

Dimensions



Hoyt Electrical Instrument Works, Inc.

23 Meter Street
Penacook, NH 03303

Phone: (800) 258-3652

Fax: (603) 753-9592

Email: sales@hoytmeter.com

www.hoytmeter.com

Page 1 (1)