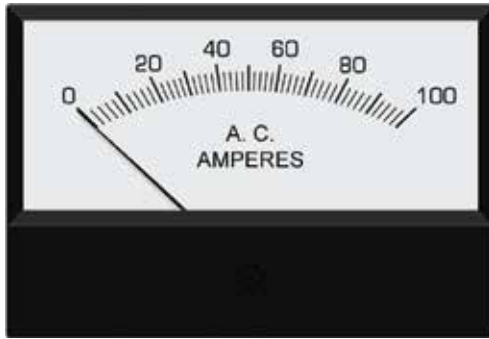




Model 2135, 2136

Analog Panel Meters



- 3-1/2" 2135** DC Moving Coil
- 3-1/2" 2136** AC Repulsion

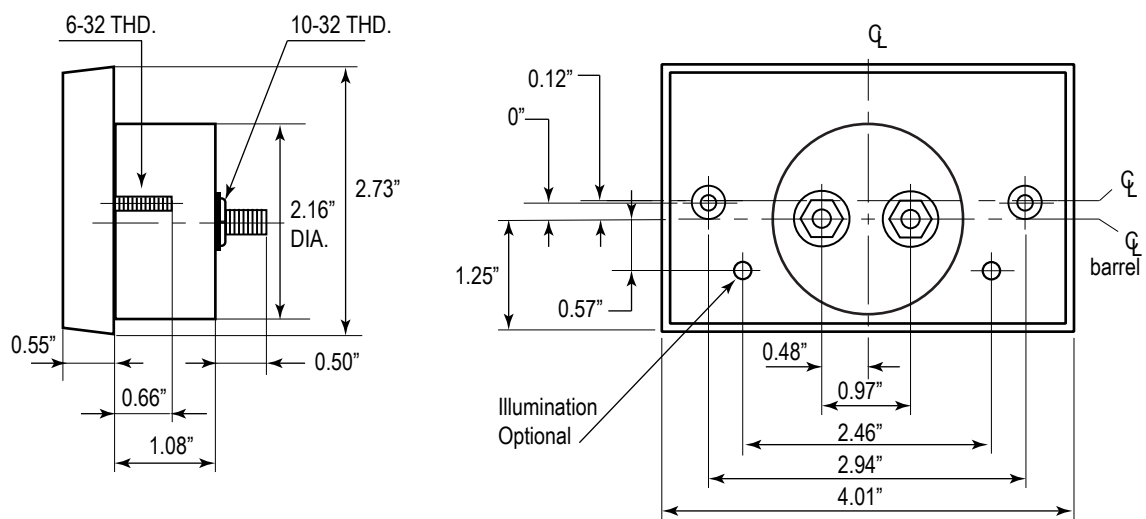
Features

- The low profile series of non-static phenolic and glass meters is especially suited for applications where plastic meters are unsuitable or where low, rectangular styling is a must.
- This series features a clean, uncluttered scale for excellent readability, smooth satin finish front and fast, two stud mounting.
- Matching AC versions are available as are rectifier type and VU models.
- Special Dials are available with the following options: additional Colors, Scales, Special Legends, Logo and Mirrors.
- **DC Ranges:** Microammeter, Milliammeter, Ammeter, Millivoltmeter, Voltmeter.
- **AC Ranges:** Milliammeter, Ammeter, Voltmeter, Motor Load Meter.

Specifications

- Overload:** Voltmeters (AC and DC): 50% momentary; 20% sustained.
Ammeters (AC and DC): momentary - 10 X rated current, 10 consecutive intervals of 1/2 second with a 1 minute interval between successive applications; sustained - 20% for 6 hours.
- Accuracy:** $\pm 2\%$ full scale value.
- Resistance:** $\pm 15\%$.
- Dials:** 100 or 90 degree arc, black lettering on white background. Special dial colors and artwork are available as an option.
- Pointer:** Knife Edge
- Movement:** Pivot and Jewel, AC Iron Vane or Taut Band.
- Mounting:** Specify (S) Surface mount.
- Case:** Non-static phenolic.
- Operating Temp.:** 32°F to 104°F (0°C to 40°C).
- Storage Temp.:** -4°F to 131°F (-20°C to 55°C).
- Meter Approvals:** ANSI C39.1, RoHS, REACH.
- Origin:** Made in USA.

Dimensions



Hoyt Electrical Instrument Works, Inc.

www.hoytmeter.com

23 Meter Street
Penacook, NH 03303

Phone: (800) 258-3652
Fax: (603) 753-9592
Email: sales@hoytmeter.com