



Models 3115VU, 3125VU, 3135VU, 3145VU

Analog VU Panel Meters



1.5"	2.5"	3.5"	4.5"
3115 VU	3125 VU	3135 VU	3145 VU

The VU meters have become the universal standard level indicator for practically all audio frequency transmission systems.

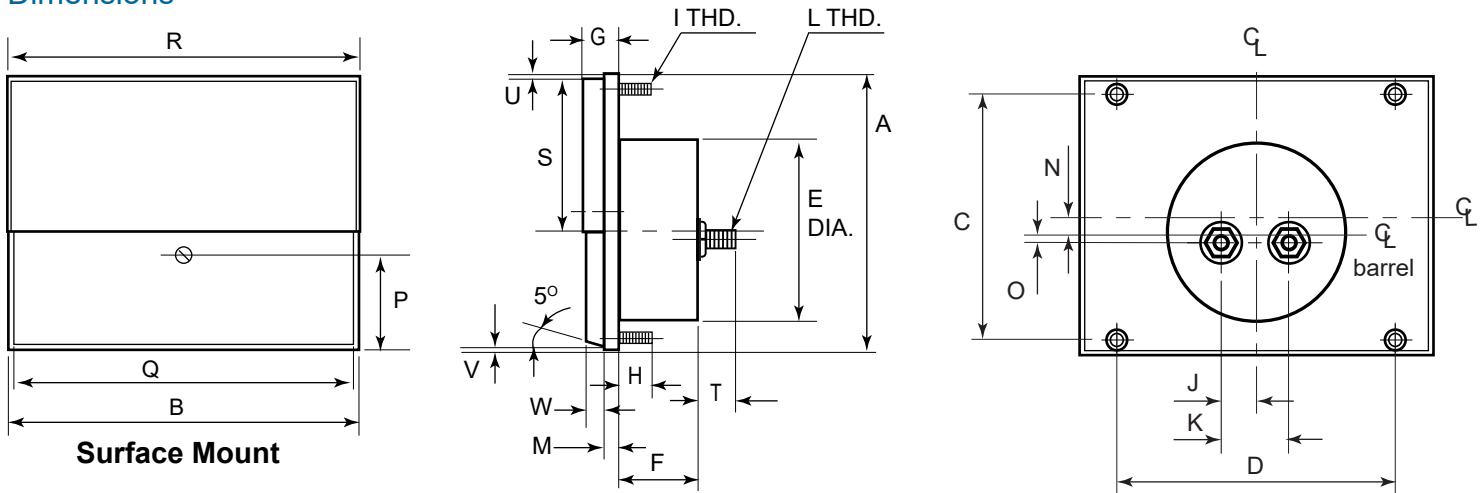
VU meters are for the measurement of sound or noise levels - including broadcast monitoring, use with public address of communication systems, and in all instances where volume level measurements are to be made.

They are also being used for the measurement of noise level and other audio frequency energy where established dynamic characteristics of the instrument give a common result for measurements taken in different laboratories.

Specifications

Accuracy:	±2% full scale value.
Resistance:	Designed to read zero VU or 100% with 1.228 volts applied to the instrument and the 3600 ohm series resistance; this represents 4 DB above 1 milliwatt in 600 ohms.
Dials:	100 degree arc, black lettering on white or buff background.
Scale:	Type "A" Scale reads "-20 to +3" in type on the top of the arc, with "0-100" on the bottom of the arc in type. Type "B" Scale reads "0-100" in type on the top of the arc, with "-20 to +3" in type on the bottom of the arc.
Pointer:	Knife Edge.
Movement:	Pivot and Jewel.
Mounting:	Specify (S) Surface mount, (B) Bezel mount or (W) Window mount.
Case:	Lexan.
Operating Temperature:	32°F to 104°F (0°C to 40°C).
Storage Temperature:	-4°F to 131°F (-20°C to 55°C).
Relative Humidity:	20% to 80%RH (Nominal Use).
Meter Approvals:	ANSI C39.1.
Origin:	Made in USA

Dimensions



Models	A	B	C	D	E	F	G	H	I	J	K	L	M	N	O	P	Q	R	S	T	U	V	W
3115 VU	1.78	2.24	1.31	1.31	1.50	1.22	0.34	0.50	4-48	0.48	0.97	10-32	0.14	0.03	-0.22	0.66	2.14	2.16	0.88	0.50	0.04	0.04	0.16
3125 VU	2.29	2.99	1.88	1.88	2.08	1.16	0.40	0.50	4-48	0.48	0.97	10-32	0.16	0.00	0.00	0.86	2.89	2.91	1.23	0.50	0.06	0.04	0.19
3135 VU	2.89	3.70	2.25	2.25	2.60	1.16	0.42	0.50	4-48	0.48	0.97	10-32	0.18	0.00	0.12	0.96	3.59	3.62	1.55	0.50	0.06	0.04	0.19
3145 VU	3.98	5.10	3.56	4.00	2.60	1.13	0.52	0.50	6-32	0.48	0.97	10-32	0.21	0.24	0.12	1.39	4.98	5.02	2.21	0.50	0.05	0.04	0.25

Hoyt Electrical Instrument Works, Inc.

23 Meter Street
Penacook, NH 03303

Phone: (800) 258-3652
Fax: (603) 753-9592
Email: sales@hoytmeter.com

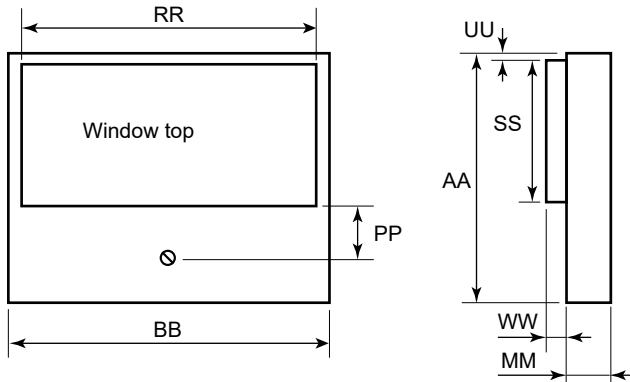
www.hoytmeter.com



Models 3115VU, 3125VU, 3135VU, 3145VU

Analog VU Panel Meters

Dimensions Window Mount



Models	AA	BB	MM	PP	RR	SS	UU	WW
3115VU	1.78	2.24	.28	.54	2.14	.92	.05	.15
3125VU	2.28	3.01	.30	.64	2.89	1.26	.06	.15
3135VU	2.89	3.72	.32	.81	3.58	1.58	.07	.15
3145VU	4.06	5.19	.37	.86	5.00	2.33	.09	.15

Base is the same as the surface top.
See Surface dimensional chart for omitted base dimensions.

Dimensions Bezel and Window Mount

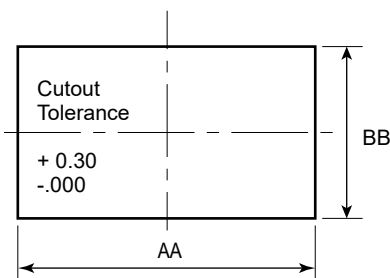
Window Mount. The window mount design is available in sizes 1.5", 2.5", 3.5" and 4.5". This series is industrially styled and universally accepted with maximum dial visibility. The outside edges of the "window" that project through the panel are clear which yields maximum readability.



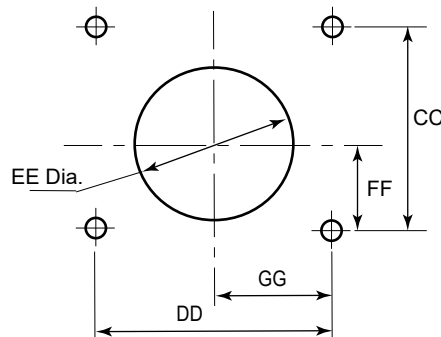
Bezel Mount.

The bezel mount design is available in sizes 2.5", 3.5" and 4.5" and offer a custom look to the panel surface. The bezel is molded from high strength plastic material which protects the meter from damage. This design features the zero adjuster for drilling an additional hole. The optional bezel is available for use with the surface case styles and includes necessary mounting hardware.

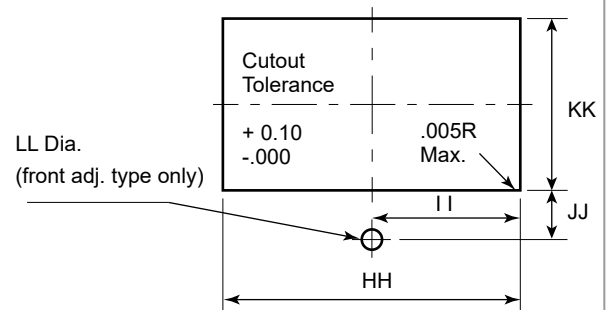
Bezel Panel Cutout



Panel Cutout for Barrel



Window Mount



Models	AA	BB	CC	DD	EE	FF	GG	HH	II	JJ	KK	LL
3115VU	-	-	1.310	1.310	1.590	0.660	0.660	2.150	1.075	0.535	0.935	0.265
3125VU	3.000	1.600	1.880	1.880	2.180	0.940	0.940	2.900	1.450	0.630	1.270	0.265
3135VU	3.720	2.160	2.250	2.250	2.720	1.120	1.120	3.590	1.795	0.804	1.590	0.265
3145VU	5.120	2.840	3.560	4.000	2.720	1.540	2.000	5.010	2.505	0.856	2.340	0.228