



Model 3145, 3146

Analog Panel Meters



4-1/2" 3145 DC Moving Coil

4-1/2" 3146 AC Repulsion

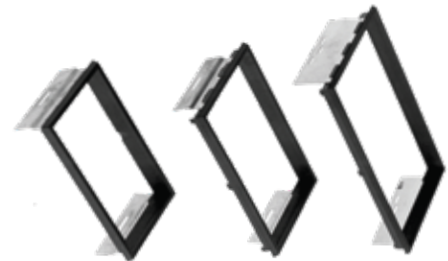
Features

- The 3100 Series consists of a popular industrial styled, high impact plastic case that is available for surface, bezel or window mounting applications.
- This series of meters is equal in mounting and specifications to similar styled meters of other manufacturers.
- **D.C. Ranges:** Microammeter, Milliammeter, Ammeter, Millivoltmeter, Voltmeter.
- **A.C. Ranges:** Milliammeter, Ammeter, Voltmeter, Frequency Meter, Motor Load Meter.
- Equivalent to Yokogawa Stylist ®

Specifications

Overload:	Voltmeters (AC and DC): 50% momentary 20% sustained. Ammeters (AC and DC) momentary: 10 times the rated current for 10 consecutive intervals of .5 seconds with a 1 minute interval between successive applications; 20% for six hours.
Accuracy:	±2% full scale value.
Resistance:	±15%.
Dials:	100 or 90 degree arc, black lettering on white background. Special dial colors and artwork are available as an option.
Movement:	Pivot and Jewel, AC Iron Vane or Taut Band.
Mounting:	Specify (S) Surface mount, (B) Bezel mount or (W) Window mount.
Case:	Lexan.
Standard options:	Optional colors available on lower front cover, mirror dials, acrylic case materials, suppressed zero ranges, VU meters.
Operating Temp.:	32°F to 104°F (0°C to 40°C).
Storage Temp.:	-4°F to 131°F (-20°C to 55°C).
Meter Approvals:	ANSI C39.1, RoHS, REACH.
Origin:	Made in USA.

Bezel Mount



The bezel mount design is available in sizes 2.5", 3.5" and 4.5" and offer a custom look to the panel surface.

The bezel is molded from high strength plastic material which protects the meter from damage. This design features the zero adjuster for drilling an additional hole. The optional bezel is available for use with the surface case styles and includes necessary mounting hardware.

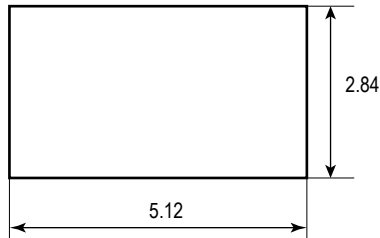


Model 3145, 3146

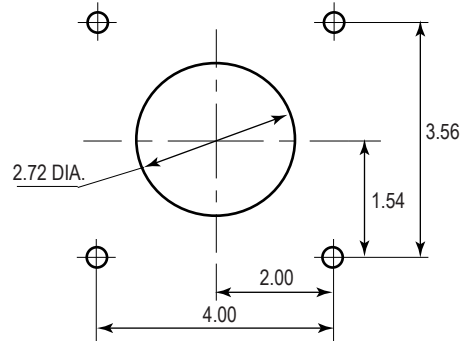
Analog Panel Meters

Dimensions (inches)

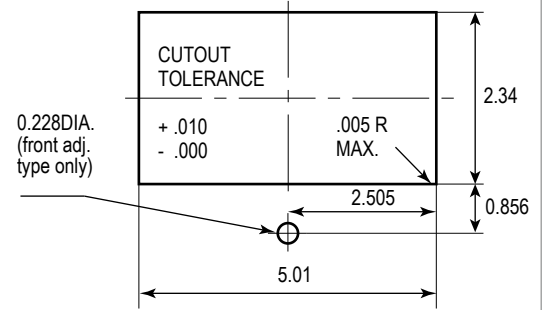
Bezel Panel Cutout



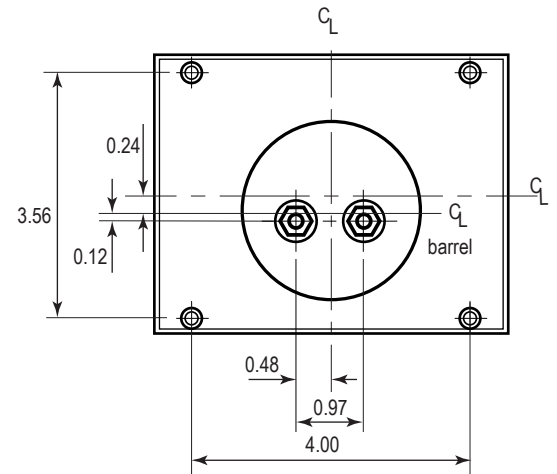
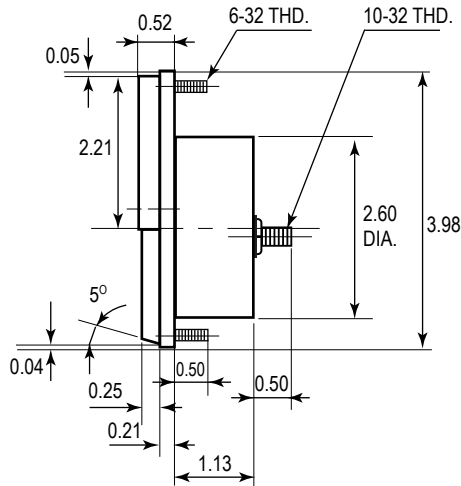
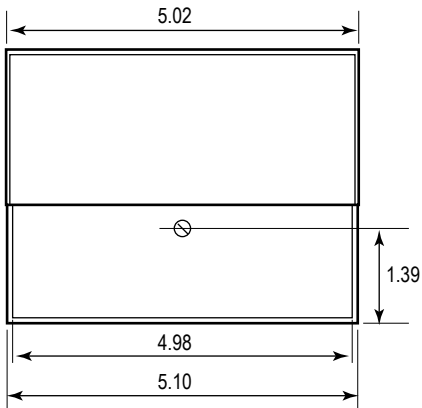
Panel Cutout for Barrel



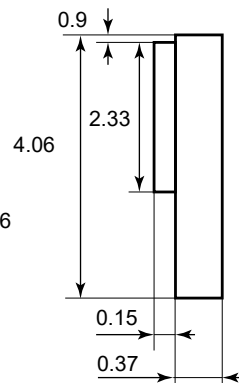
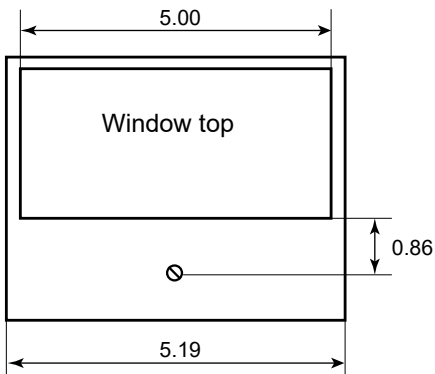
Window Mount



Surface Mount



Window Mount



Base is the same as the surface top.
See surface dimensions for omitted base dimensions.

Window Mount.

This series is industrially styled and universally accepted with maximum dial visibility. The outside edges of the "window" that project through the panel are clear which yields maximum readability.