



Model 795

5% Moving Magnet Meters



2.5"

795 D.C. Moving Coil

Features

The 5% Moving Magnet Meters are especially suited for applications requiring high durability at low cost. They feature rugged steel backs, U-clamp for mounting and fade proof metal dials. Available with or without illumination. Special Dials are available with the following options: Additional Colors, Scales, Special Legends, Logo and Mirrors.

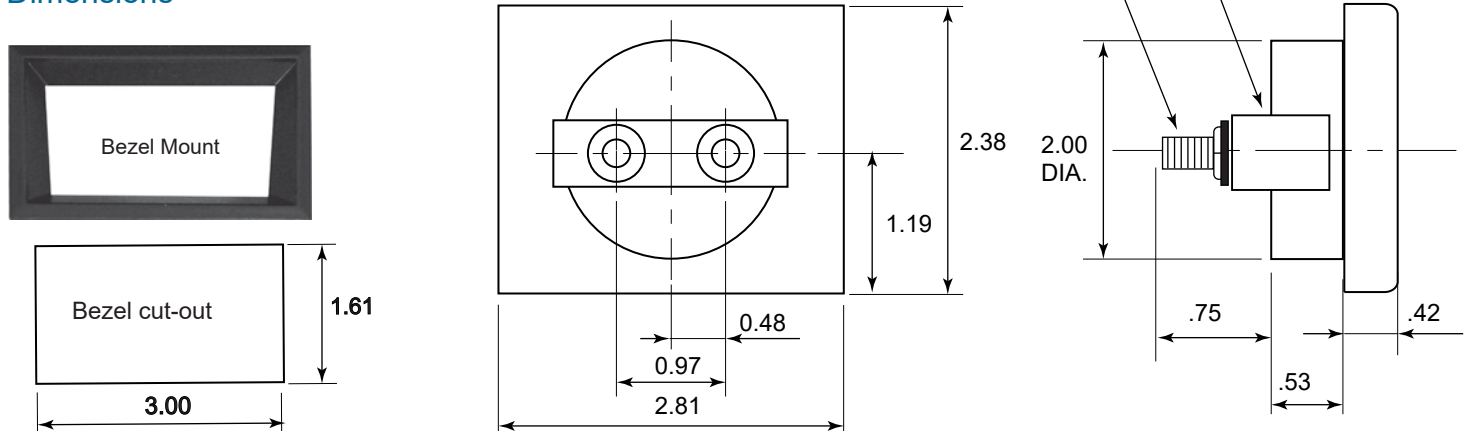
DC Ranges: Microammeters, Milliammeters, Ammeters, Millivoltmeters and Voltmeters.

AC Ranges: Milliammeters, Ammeters and Voltmeters.

Specifications

| | |
|------------------------|--|
| Overload: | Voltmeters (AC and DC): 50% momentary 20% sustained. Ammeters (AC and DC) momentary: 10 times the rated current for 10 consecutive intervals of .5 seconds with a 1 minute interval between successive applications; 20% for six hours. |
| Accuracy: | ±5% full scale value. |
| Resistance: | ±10%. |
| Dials: | 56 degree arc, black lettering on white background. |
| Pointer: | Knife Edge. |
| Movement: | Moving Magnet |
| Mounting: | Surface Mount U-Clamp. For 795 Meter - Surface Mount U-Clamp, optional bezel. |
| Case: | Lexan, Polystyrene, Steel. |
| Operating Temperature: | 32°F to 104°F (0°C to 40°C). |
| Storage Temperature: | -4°F to 131°F (-20°C to 55°C). |
| Relative Humidity: | 20% to 80%RH (Nominal Use). |
| Meter Approvals: | ANSI C39.1, NEMA4, RoHS, REACH. |
| Origin: | Made in USA. |

Dimensions



Hoyt Electrical Instrument Works, Inc.

23 Meter Street
Penacook, NH 03303

Phone: (800) 258-3652
Fax: (603) 753-9592
Email: sales@hoytmeter.com

www.hoytmeter.com