



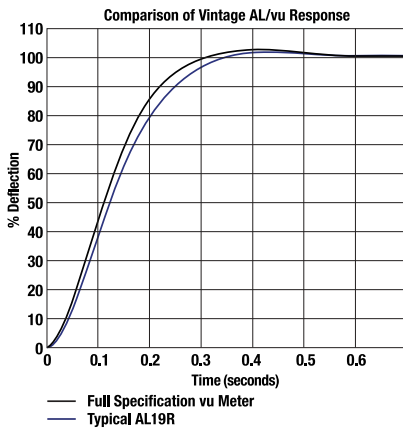
The Vintage style meter has been introduced by Hoyt in response to the demand for more classically styled meters seen on many traditional consoles and rackmounted units. The distinctive 'retro' styling with contemporary construction gives high performance at an affordable price. The Vintage AL range is available in four styles. This range of Audio Level (AL) analogue meters complements the Fast Response (FR) and Industrial meters available in the same distinctive vintage styling.

Features and Benefits

- Distinctive 'retro' styling with contemporary construction.
- Audio Level (vu scale) ranges.
- Taut band core magnet movement incorporated as standard.
- Rugged movements for portable or fixed audio applications.
- No calibration effect when mounted on a ferrous panel.
- High performance at affordable price.
- Illumination options.

Comparison of full specification VU meters and Vintage Audio Level Meter range

The response curves below give a comparison of the full specification VU meters with that of a Vintage Audio Level Meter AL15, AL19R, AL20 and AL20SQ.



A low range AC voltmeter offering a performance close to that of a full specification VU meter. Suitable for connecting across a 600Ω line and self contained except for requiring an external 3k6 resistor. Calibrated for use with a 3k6 ohm resistor 4vu above the scale marking so that the reference deflection (0vu) is produced by a signal 4vu above 1mW in 600Ω (1.228V).

The performance of the meter is based upon the requirements IEC 268-17.

The response curves give a comparison of the full specification VU meter with that of a typical AL19R meter.

A variation in overswing between 0 and 5% can occur since the damping is not individually adjusted on each meter but allowed to fall within normal process parameters.

Pointers and dials

The combination of 'pear' shaped pointer and conventional arc scale on translucent buff coloured dial results in an easily read meter, even when monitoring a row on a large console.

A white dial can be specified if required.

The standard scale is based on the VU 'A' scale but the 'B' scale is also available.

Zero adjuster

Positioned on the rear as standard.

Operating Temperature:

-25°C to +55°C.

Terminals

- AL15: 6mm tabs or flying leads are available
- AL19R: 6mm tabs are supplied as standard but threaded studs or flying leads are available.
- AL20: Flying leads 125mm/5" long are standard but 6mm tabs are available.
- AL20SQ: Flying leads 125mm/5" long are standard but 6mm tabs are available.



AL15

Square 36.5mm bezel, with four fixing holes

Suitable for less than 1U vertical rack mounted applications

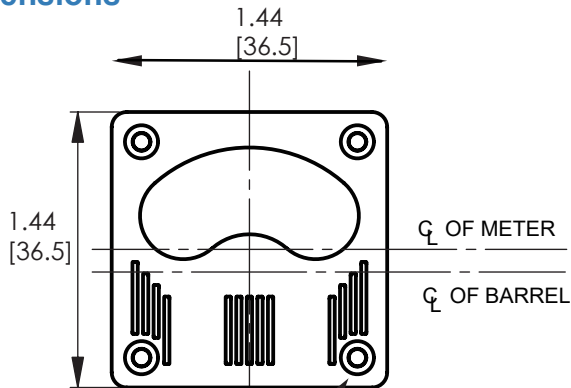
Front of panel mounting with full bezel Internal LED illumination option

Constructed with glass window and high impact rear body moulding.

Bezel moulded in black ABS

VU scale

Dimensions



4 Fixing Holes Suitable
For M2 Csk.hd.screws
Or No.2-56unc Csk.hd.screw

Panel Cut Out Details

