



- Compact, easy to wear and convenient in use.
- Usable both indoor and outdoor.
- Water-proof design. (IP65)
- Equipped with self-testing functions.
- Able to sense all kinds of AC High Voltage System.
- Low power consumption.
- CE Certified.



287 SVD is a sensor for sensing AC High Voltage. It provides electric engineering personnel, power engineering personnel, firefighting personnel and instrument equipment workers with prominent warning when approaching high voltage source.

### Specifications

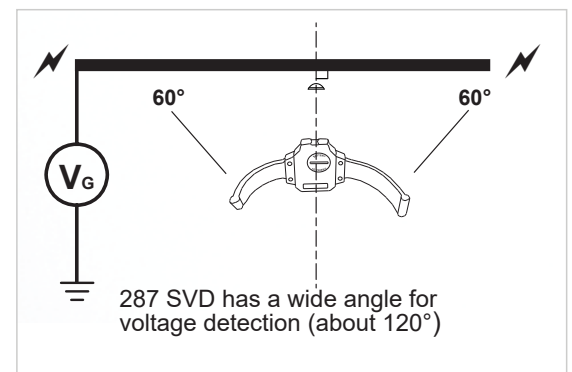
Distance of starting warning :	85 cm for 22.8kV (phase to phase)
Applicable frequency :	50 / 60 Hz
Volume :	70dB or higher at 1 meter distance
Operating Temp & Humidity :	0°C - 40°C / 80% RH.
Outside dimensions :	61(L) x 62(W) x 18.5(D) mm
Weight :	Approx. 70g (battery included)
Battery type :	CR2032
Battery life :	50 hours for continuous use.

### Accessories

- Instruction manual,
- Elastic cord,
- Elastic cord adjustment,
- Connection ring,
- Hooks,
- Battery.

Voltage Detection	Angle	Detection Distance
6.6kV (3.8kV phase to ground)	90°	40 cm ± 20%
11.4kV (6.6kV phase to ground)	90°	55 cm ± 20%
19.7kV (11.4kV phase to ground)	90°	80 cm ± 20%
22.8kV (13.2kV phase to ground)	90°	85 cm ± 20%

### The ideal detection angle



### Method of use

#### • Inspection before use

- Check the appearance and structure for any abnormality.
- Press Self-Test switch (about 10 seconds) to confirm all functions are working normally.
- To be careful and to avoid misjudgment, test the unit by contacting AC 110V insulated wire with its front side to see if it sounds and flashes.

#### • Wearing

- Wear the unit in front of the safety helmet.
- Wear the unit to the outer side of fore arm with the sensing side faces outwardly.

(1)



3 hooks hold the elastic cord around the safety helmet.

(2)



The effect is best when the sensing side is facing high voltage in right angle (90°). When it is worn at the inner side of arm or is covered by cloth, the sensitivity is poorer.