



H4S & H4W Series

4.5 LCD Digital Panel Meter



Features

- Low-cost, high-performance replacement for many OEM DPMs
- Window, surface or snap-in mounting
- Low power: choice of 1.5mA (9V) or 2.6mA (+5V)
- Space-saving design: only 1" (25 mm) deep
- Occupies less than 2.5 X 1.1 inches of front panel space
- 4½ digits with high-contrast LCD

Ordering Info

4S SERIES

Part Number	Meter Input	Meter Power
4S0040N	200mV	+5VDC
4S0140N	2V	+5VDC
4S0240N	20V	+5VDC

4W SERIES

Part Number	Meter Input	Meter Power
4W0040	200mV	+5VDC
4W0090	200mV	9V
4W0140	2V	+5VDC
4W0190	2V	9V

ACCESSORIES

J4C13	13 Pin Connector / Wire Assembly
PW2-5	Regulated 120V AC to 5V DC Power Supply
PW2-12	Regulated 120V AC to 12V DC Power Supply
CVC	Calibrator

Low Cost 4½ Digit LCD Display

Specifications

Display

Digits:	4 ½ digits (±19999 counts)
Type:	0.5" (13mm) 7 segment LCD
Polarity:	automatic, "-" displayed
Annunciators:	"LoBat" when power <7.2 VDC
Decimal Points:	4 position, user-selectable
Overrange:	four lower order digits blank for inputs >19999 & < -19999
Hold:	standard

Inputs

Ranges:	±200.0 mV, ±2.000 V, ±20.00 VDC
Configuration:	single ended for 9 V powered, differential for 5 V powered
Protection:	±10 VDC on 200 mV ; ±100 VDC on @ 2V ; ±350 VDC on 20 V range
Impedance:	>100 MΩ on ± 200 mV ; (>1 MΩ on 2 V & 20 V range)
Bias Current:	10 pA typical

Performance

Accuracy:	±(0.06% fs + 1 count) maximum
Conversion Rate:	2 per second
Normal Mode Rejection:	>30 dB @ 60 Hz
Common Mode Range:	±1 VDC (5 V powered)
Common Mode Rej.:	>86 dB
Zero Adjustment:	automatic
Warmup:	10 minutes typical
Temperature Coeff.:	±50 ppm per °C typical ±100 ppm max for 200 mV range ±100 ppm per °C typical ±200 ppm max for 2V and 20V ranges

Environment

Operating Range:	0 to 50 °C
Storage Range:	-20 to 70 °C

Power Supply

5V powered:	+5 VDC (4.65 - 5.35) at 2.6 mA
9V powered:	+7.2 to +12 V at 1.5 mA

Mounting

H4W:	surface or window mount
H4S:	snap-in bezel mount

Connection

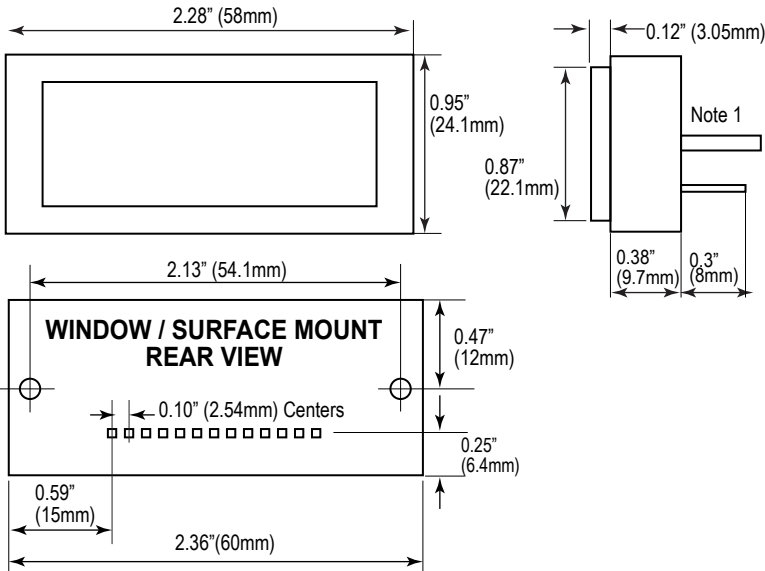
H4W, H4S:	13 pins, 0.025" square on 0.1" center
-----------	---------------------------------------



H4S & H4W Series

4.5 LCD Digital Panel Meter

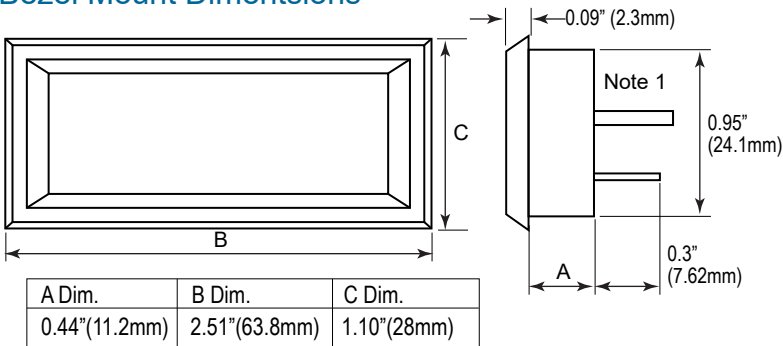
Window / Surface Mount Dimensions



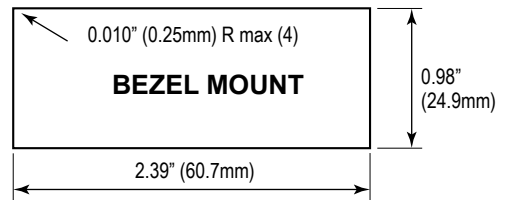
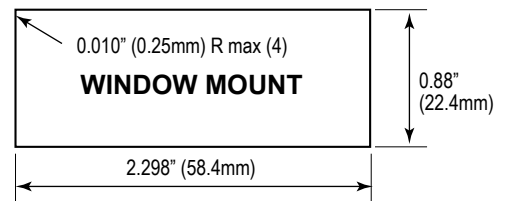
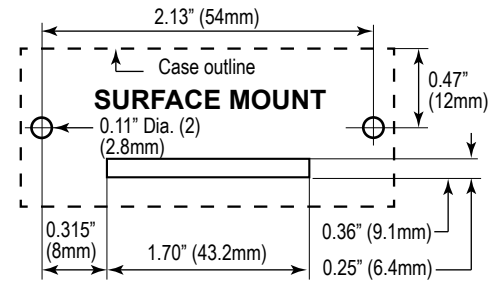
NOTES:

Mounting studs (2) are #2-56, length 0.5 (13) min.
Snap in bezel Mount does not have mounting studs.

Bezel Mount Dimensions



Panel Cutouts



Connection Description

PIN #	PIN NAME	DESCRIPTION
1	V+	Positive Supply Connection
2	V-	Negative Supply Connection
3	INHI	Input High Terminal
4	INLO	Input Low Terminal
5	D1	Decimal Point = 000.0
6	D2	Decimal Point = 00.00
7	D3	Decimal Point = 0.000
8	D4	Decimal Point = .0000
9	DP	DP Common Connect to decimal points to activate
10	RNG	10:1 Range Connect to V+ points to activate
11	NC	No Connection Required
12	NC	No Connection Required
13	NC	No Connection Required