



# H5F / H5P Series

## 3.5 Digit LCD Panel Meter



### Flat Pack 3½ Digit LCD

#### Features

- Low cost
- Ultra-compact, flat design
- Less than .25" deep
- 3 1/2 digits with high-contrast LCD

#### Specifications

##### Display

Digits: 3 ½ digits (±1999 counts)  
Type: 0.5" (13mm) 7 segment reflective LCD  
Digit Height: .50" (12.7mm)  
Polarity: automatic, "-" displayed  
Annunciators: "LoBat" when power <7.2 VDC  
Decimal Points: 3 position, user-selectable  
Overrange: three lower order digits blank

##### Inputs

Ranges: ±200.0 mV, ±2.000 V, ±20.00 VDC  
Configuration: true differential input and reference  
Protection: 250V DC OR 150 V RMS continuous, 300V intermittent max  
Impedance: >100 MΩ on ± 200mV ; (>1 MΩ on 2V & 20V range)  
Bias Current: 1 pA typical, 10 pA max

##### Performance

Accuracy: ±(0.1% fs + 2 count) with +5 and ±5V power  
±(0.1% rgd + 1 count) with 9 V power  
Conversion Rate: 2.5 per second  
Normal Mode Rejection: >30 dB @ 60 Hz  
Common Mode Range: ±1 VDC max  
Common Mode Rej.: >86 dB  
Zero Adjustment: automatic  
Warmup: 10 minutes typical  
Temperature Coeff.: ± 100 ppm per °C typical

##### Environment

Operating Range: 0 to 50 °C  
Storage Range: -10 to 60 °C  
Relative Humidity: 0 to 95% non-condensing

##### Power Supply

9V powered: 9 V isolated, 7.2-12 V at 150 µA  
+5V and -5V DC: ±5 V ±5% at 150 µA  
+5V DC: 5 V ±5% at 3 mA

##### Mounting

panel hole mounting,  
standard bezel mount (optional)  
Dimensions: 2.37 x 1.50 x .32  
Panel Cutout: 1.89 x .66  
Weight: 0.9 oz (25 g)

##### Connection

5F: 13 pins, 0.025" square - pin 3 missing  
5P: 15 solder pads

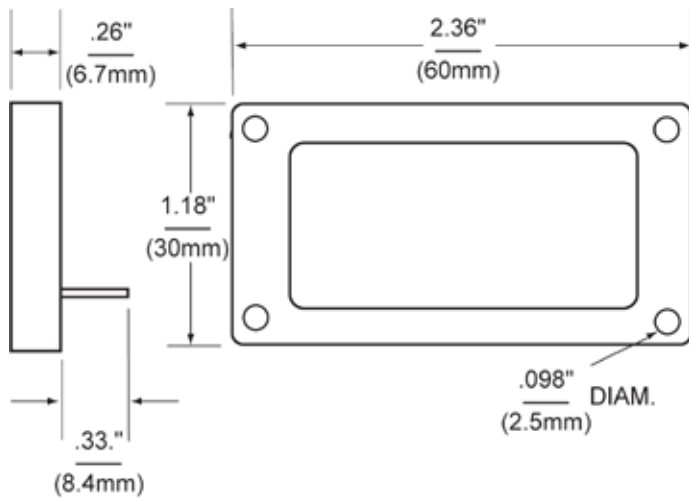


# H5F / H5P Series

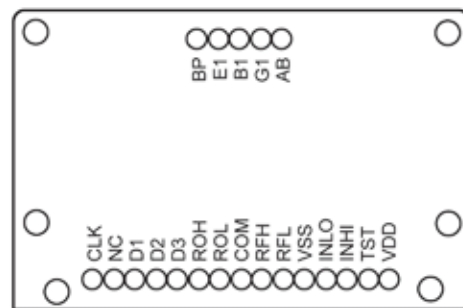
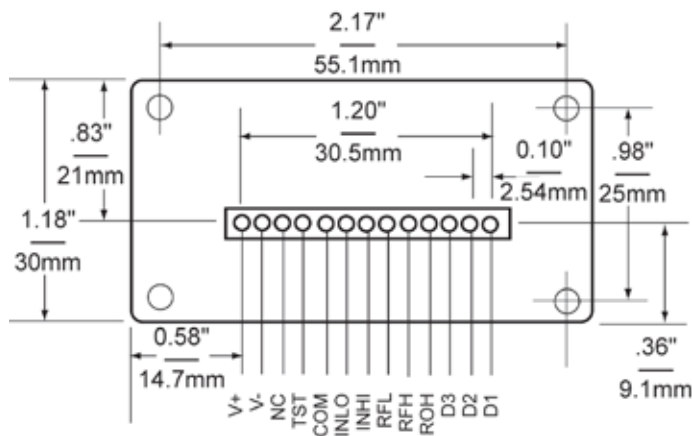
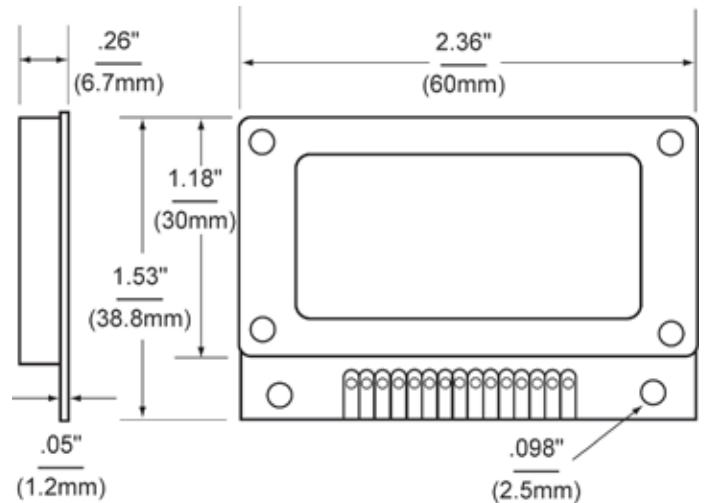
## 3.5 Digit LCD Panel Meter

### Dimensions

#### H5F Series



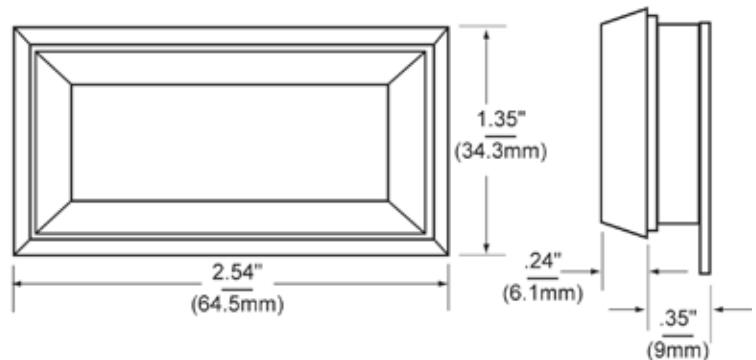
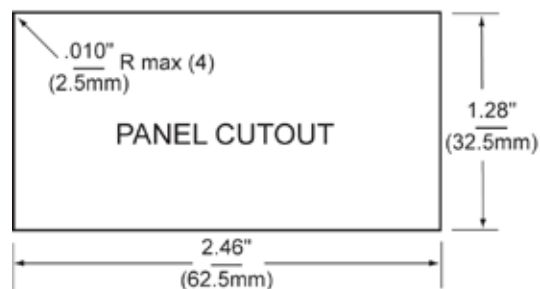
#### H5P Series



NOTE:  
DIM. = inches  
(2.5mm)

NOTE: DO NOT SOLDER TO PINS

### Bezel Mounting





### Ordering Information

#### H5F Series - 13-pins

Part Number	Meter Input	Meter Power
5F0040 .....	200mV .....	+5VDC
5F0050 .....	200mV .....	±5VDC
5F0090 .....	200mV .....	9V
5F0140 .....	.2V.....	+5VDC
5F0150 .....	.2V.....	±5VDC
5F0190 .....	.2V.....	9V
5F0240 .....	.20V.....	+5VDC
5F0250 .....	.20V.....	±5VDC
5F0290 .....	.20V.....	9V

#### H5P Series - 15 pads

Part Number	Meter Input	Meter Power
5P0040 .....	200mV .....	+5VDC
5P0050 .....	200mV .....	±5VDC
5P0090 .....	200mV .....	9V
5P0140 .....	.2V.....	+5VDC
5P0150 .....	.2V.....	±5VDC
5P0190 .....	.2V.....	9V
5P0240 .....	.20V.....	+5VDC
5P0250 .....	.20V.....	±5VDC
5P0290 .....	.20V.....	9V

### Accessories

B-1B	Bezel Mounting Kit
J1C13	13 Pin Connector / Wire Assembly
PW2-5	Regulated 120V AC to 5V DC Power Supply
PW2-12	Regulated 120V AC to 12V DC Power Supply
CVC	Calibrator