



3½ Digit Flat Pack LCD with Loop Powered Adder Board

Features

- Low-cost, high-performance replacement for many OEM DPMs.
- Surface or inside panel mounting.
- Resistant to RF and EMI.
- 3½ digits with high-contrast LCD.
- 4-20 mA loop powered input.

Specifications

Display

Digits: 3 ½ digits (± 1999 counts)
Type: 0.5" (12 mm) 7 segment LCD
Polarity: automatic, "-" displayed
Decimal Points: 3 position, user-selectable
Overrange: three lower order digits blank for inputs >1999 & < -1999

Inputs

Ranges: Ranges: 4-20 mA DC
Configuration: bipolar, differential
Protection: 30 mA max.
Loop Burden: 300 Ω nominal

Performance

Accuracy: $\pm(0.1\% \text{ fs} + 2 \text{ count})$
Conversion Rate: 3 per second
Normal Mode Rejection: $>30 \text{ dB @ } 60 \text{ Hz}$
Adjustments: span (gain) and zero (offset)
Warmup: 10 minutes typical
Temperature Coeff.: $\pm 100 \text{ ppm per } ^\circ\text{C}$ typical

Environment

Operating Range: 0 to 50 $^\circ\text{C}$
Storage Range: -20 to 70 $^\circ\text{C}$

Power Supply

powered by the milliamp control loop

Mounting

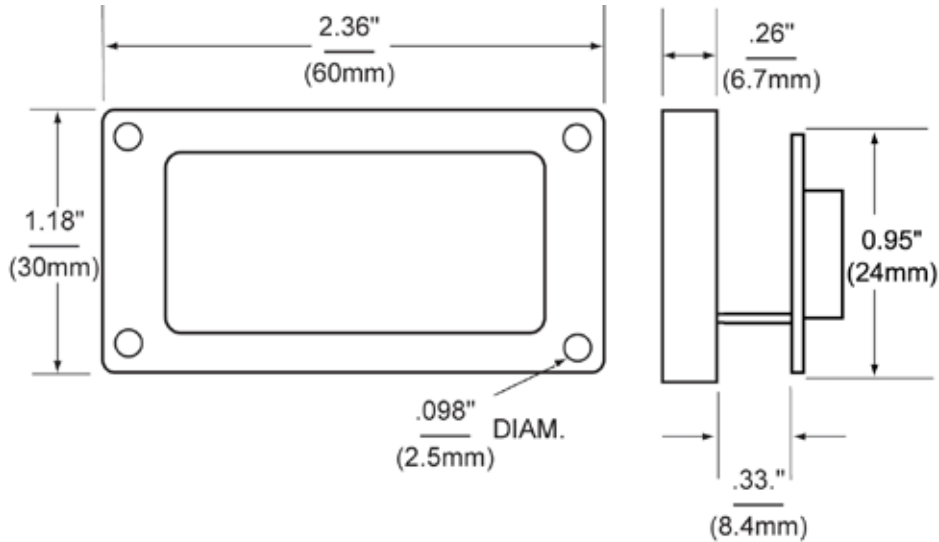
surface

Connection

2 screw terminal

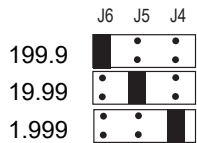


Dimensions



Wiring

1. Decimal Selection:

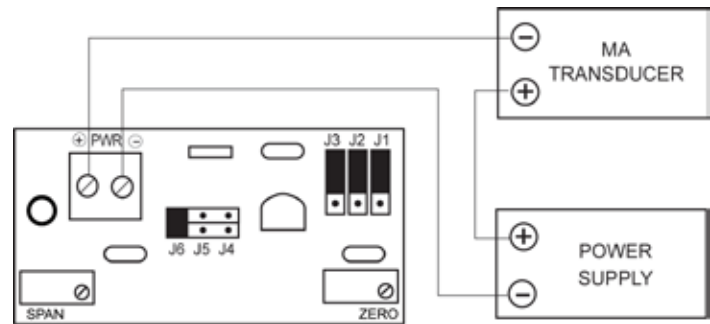
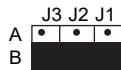


2. J1, J2, J3 Selection:

IF: Offset (Zero) = 0 or
 Offset (Zero) > 0 and
 Gain (Span) ÷ Offset (Zero) ≥ 5



IF: Offset (Zero) > 0 and
 Gain (Span) ÷ Offset (Zero) < 5



Ordering Information

Part Number: LPI-J1

ACCESSORIES

PW2-24 Regulated 120V AC to 24V DC Power Supply
 CVC Calibrato