



HLS-110, HLS-80 Frequency Meters

Analog Switchboards Meters



HLS-80 - 3.25"
HLS-110 - 4.5"

Features

- Easy to read long-scales and pointer-indications can easily be read from a distance.
- Full Scale Deflection: 250°
- Accuracy: Class 1.0
- Scale Length: HLS-110: 183mm | HLS-80: 140mm
- Case and Composition: Acrylic resin cover, plastic body and terminal. Four studs mounting.
- Color: White scale plate, black terminal plate, black meter body.
- Pointer: Sword-type in black color.

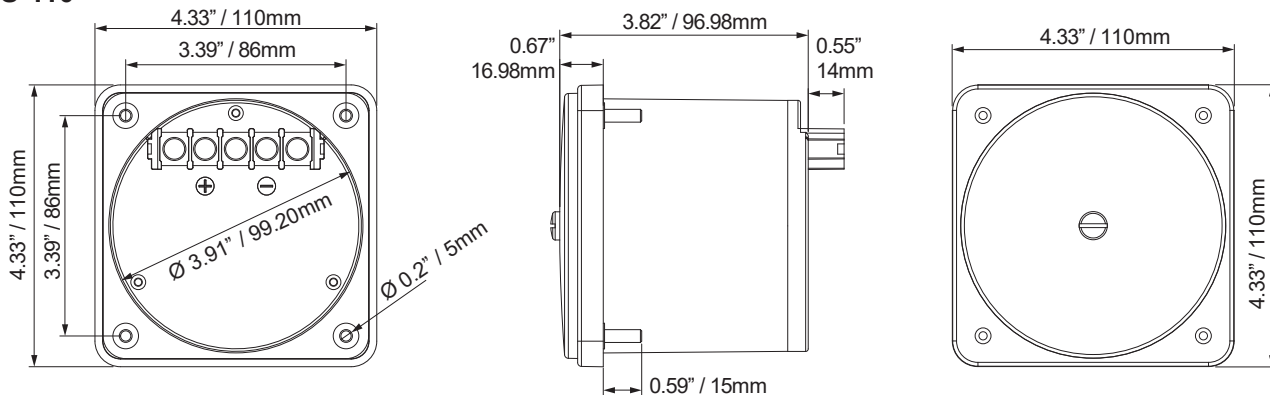
Specifications

Scale (Hz)	Voltage	Center Frequency	Class
45~65	120V	55 Hz	1.5
45~65	240V	55 Hz	1.5
55~65	120V	60Hz	1.5
55~65	240V	60 Hz	1.5

■ Consult Hoyt for measuring ranges and scales

Dimensions

HLS-110



HLS-80

