



# Model HST-45U

## Analog Panel Meters



**HST-45U 2.5"**

### Features

Case and Composition: Acrylic resin front.  
 Bakelite case.  
 Four studs mounting.

Color: Black case and white scale plate.

Pointer: Tube type, color in black or red.

Accuracy: Class 2.0.

### Hz Meter

Measuring Ranges : 45-65Hz, 45-55Hz, 55-65Hz.

Rated Voltage : 110V, 220V.

Accuracy : Class 2.0.

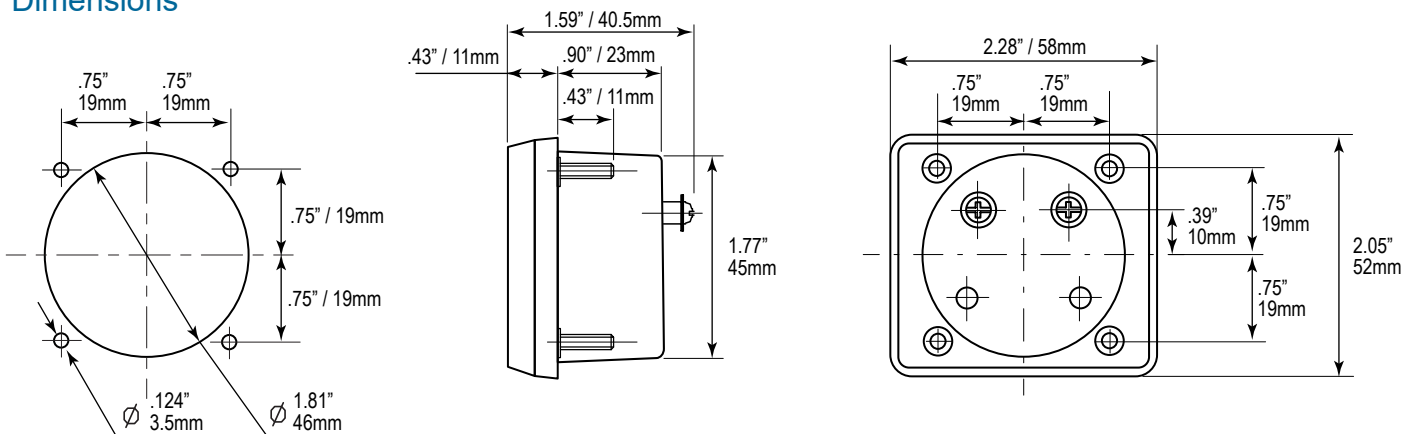
### Measuring Ranges

#### Moving Coil Type

DC mA	DC A	DC V
1	1	5
50	5	10
100	10	15
200	20	20
300		30
500		50
		100
		150
		200
		300

■ Consult Hoyt for other measuring ranges and scales

### Dimensions



PANEL CUT-OUT