



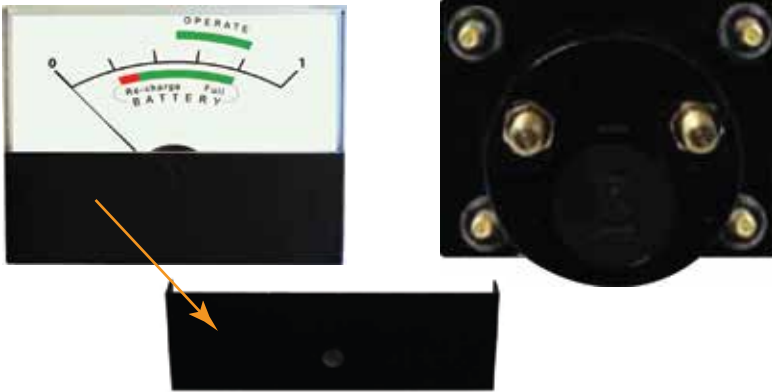
# Model HST-57

## Analog Panel Meters

### 1.5" HST-57N

4 Stud Surface Mount with removable black band

Equivalent to Yokogawa (YCA) Stylist Series 260-1



### Features

Case & Composition: Plastic case.  
Black case, white scale plate.

Pointer: Black Knife Edge Pointer.

Accuracy:  $\pm 2.0\%$  full scale value.

### Hz Meter

Measuring Ranges: 45~65 Hz,  
45~55 Hz,  
55~65 Hz.

Rated Voltage: 120V, 240V.

Accuracy:  $\pm 2.0\%$  full scale.

### 1.5" HST-57W

Window Mount without mounting studs & black band

Equivalent to Yokogawa (YCA) Horizon Series 251-1, 255-5



### Specifications

Relative Humidity: 20% to 80%RH (Nominal Use).

Operating Temperature: 32°F to 104°F (0°C to 40°C).

Storage Temperature: -4°F to 131°F (-20°C to 55°C).

Performance: ANSI C39.1.

Vibration: ANSI C39.1.

Enclosure: IP42 unless otherwise noted.

### Measuring Ranges

#### Moving Coil Type

DC uA	DC mA	DC A	DC mV	DC V
50	1	1	50	3
100	5	1.5	60	5
150	10	5	100	10
200	20	10	500	20
250	50	20		30
300	100			50
500	150			100
	200			150
	250			200
	300			300
	500			500

#### Rectifier Type

AC V
30
50
100
150
200
300
500

#### HZ Meter

Hz
45~65 Hz
45~55 Hz
55~65 Hz

Consult Hoyt for other measuring ranges and scales

**Hoyt Electrical Instrument Works, Inc.**

23 Meter Street  
Penacook, NH 03303

Phone: (800) 258-3652  
Fax: (603) 753-9592  
Email: sales@hoytmeter.com

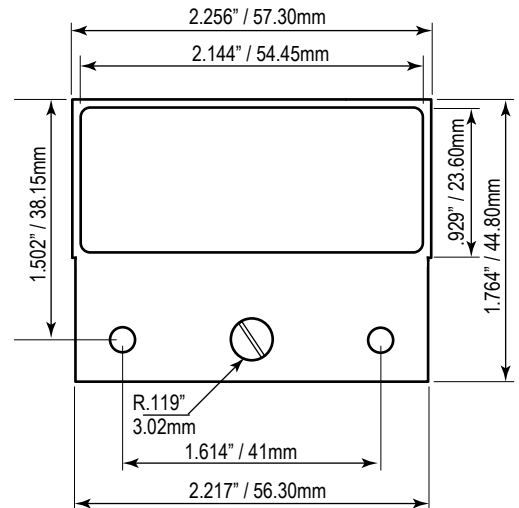
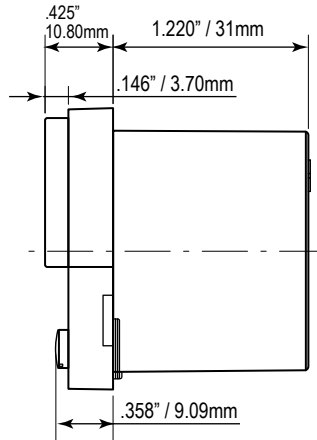
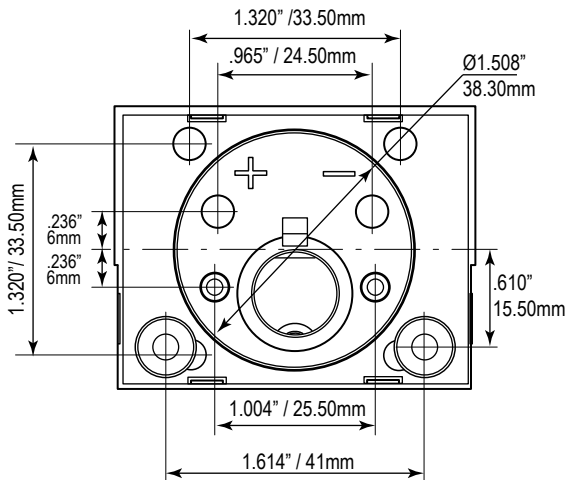
[www.hoytmeter.com](http://www.hoytmeter.com)



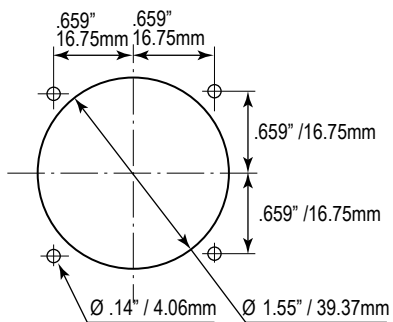
# Model HST-57

## Analog Panel Meters

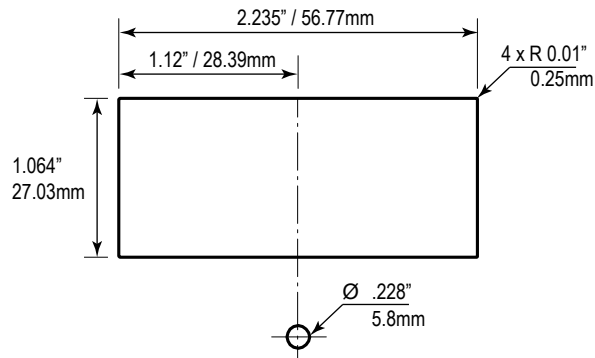
### Dimensions



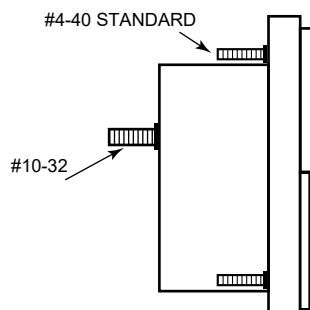
### PANEL CUT-OUT



### WINDOW MOUNT PANEL CUT-OUT



### SURFACE MOUNT



### WINDOW MOUNT

