



Model HST-70E

Edgewise Panel Meters

Features

HST-70E 2.5" Analog panel meter with high visibility scales and straight-forward design that make it especially suited to small, limited space. Supplied bezel and mounting hardware enable quick, trouble-free installation.

Special resistance, accuracy, pointers and ranges available.

DC Ranges: Microammeters, Milliammeters, Ammeters, Voltmeters.

AC Ranges: Ammeters (Rectified), Voltmeters (Rectified).

Specifications

Overload:

Ammeters: momentary: 10 times the rated current for 10 consecutive intervals of .5 seconds with a 1 minute interval between successive applications; 20% for six hours.

Voltmeters (sustained) - 20% for 6 hours.

Accuracy Moving coil type : Class 2.0
Rectifier type : Class 2.0

Resistance: $\pm 15\%$.

Movement: Pivot and Jewel for DC / Rectified for AC.

Case: PC window and case.

Dials: Black lettering on white background.

Pointer: Tube type.

Mounting: Panel Mount with Bezel (Horizontal/Vertical).
Four studs mounting.

General

Operating Temperature: 32°F to 104°F (0°C to 40°C).

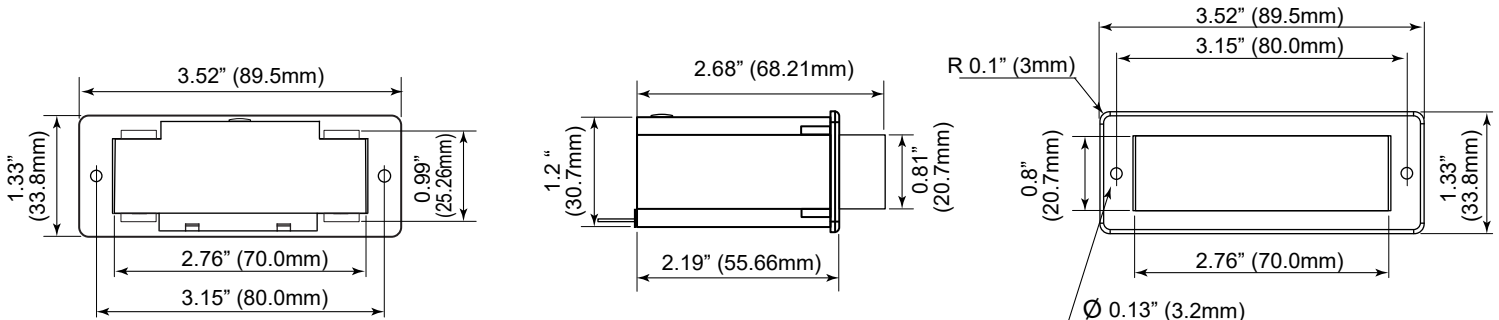
Storage Temperature: -4°F to 131°F (-20°C to 55°C).

Relative Humidity: 20% to 80%RH (Nominal Use).

Meter Approvals: ANSI C39.1.



Dimensions



Hoyt Electrical Instrument Works, Inc.

23 Meter Street
Penacook, NH 03303

Phone: (800) 258-3652
Fax: (603) 753-9592
Email: sales@hoytmeter.com

www.hoytmeter.com