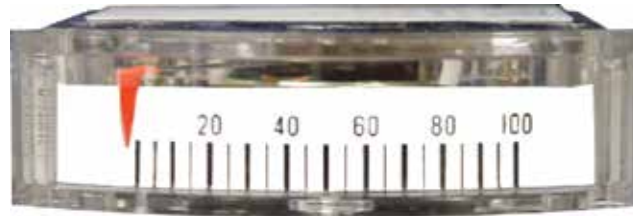




Models: TEM-42E, TEM-45E

Edgewise Analog Panel Meters



2.5"
TEM-42E DC
TEM-45E DC

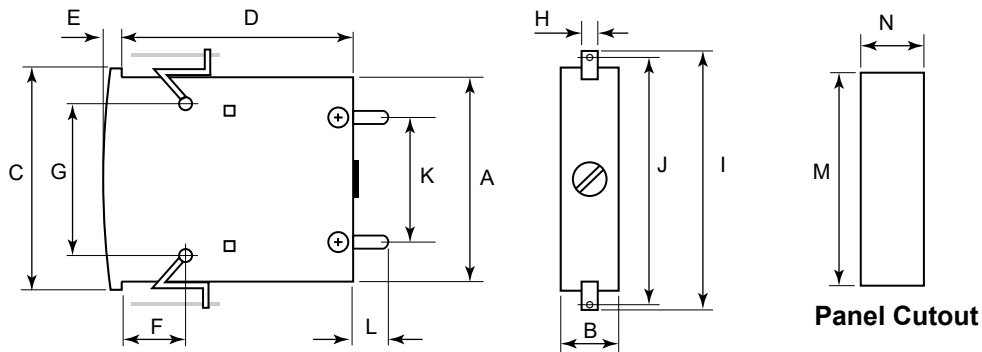
The TEM Series compact Edgewise Panel Meters have been designed without any barrel projection. They require a minimum of panel space and have an attractive appearance. Available in DC only, this unique D'Arsonal mechanism provides 2% accuracy with either vertical or horizontal mounting. Special resistance, accuracy, pointers and ranges available.

DC Ranges: Microammeters, Milliammeters, Ammeters, Millivoltmeters and Voltmeters.

Specifications

- Overload: Voltmeters (AC and DC): 50% momentary 20% sustained.
 Ammeters (AC and DC) momentary: 10 times the rated current for 10 consecutive intervals of .5 seconds with a 1 minute interval between successive applications; 20% for six hours.
- Accuracy: $\pm 2\%$ full scale value.
- Resistance: $\pm 15\%$.
- Dials: Black lettering on white background.
- Pointer: Knife Edge.
- Movement: Pivot and Jewel.
- Mounting: Panel Mount with Bezel (Horizontal/Vertical).
- Case: Lexan.
- Operating Temperature: 32°F to 104°F (0°C to 40°C).
- Storage Temperature: -4°F to 131°F (-20°C to 55°C).
- Relative Humidity: 20% to 80%RH (Nominal Use).
- Meter Approvals: ANSI C39.1.

Dimensions



Models	A	B	C	D	E	F	G	H	I	J	K	L	M	N
TEM-42E	1.68	0.51	1.81	1.91	0.35	0.35	1.42	0.28	2.28	2.05	1.10	0.39max	+0.005, -0.001, 1.72	+0.005, -0.001, .55
TEM-45E	1.77	0.50	1.93	2.20	0.24	0.24	1.46	0.28	2.36	2.13	1.10	0.39max	+0.005, -0.001, 1.81	+0.005, -0.001, .54

Hoyt Electrical Instrument Works, Inc.

23 Meter Street
 Penacook, NH 03303

Phone: (800) 258-3652
 Fax: (603) 753-9592
 Email: sales@hoytmeter.com

www.hoytmeter.com