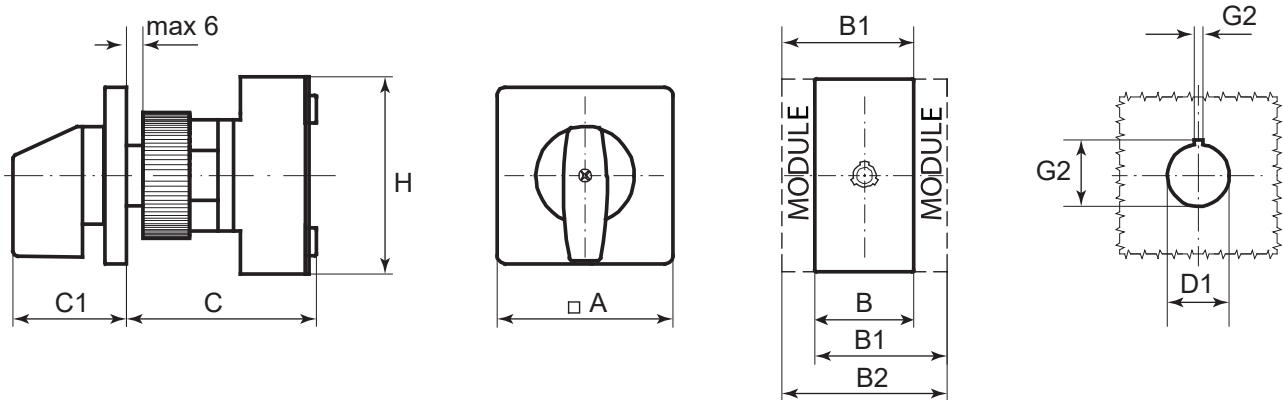


Changeover Switch 20A-40A

Dimensional Drawing

Reference Use Only



Setup of order code number

Type	Switching progr.	Mtg. form
H216	71300	214M1
Order code no.	H216-71300-214M1	

Types H216 / H220 / H226 / H233:

Mtg. form	A	B	B1	B2	C	C1	D1	G1	G2	H
203V1	64	72	84	96	83	39	30.5	33	4.8	70
204M1	64	72	84	96	83	39	30.5	33	4.8	70
204V1	64	72	84	96	83	39	30.5	33	4.8	70
213V1	64	72	84	96	83	39	22.5	24.2	3.2	70
214M1	64	72	84	96	83	39	22.5	24.2	3.2	70
214V1	64	72	84	96	83	39	22.5	24.2	3.2	70