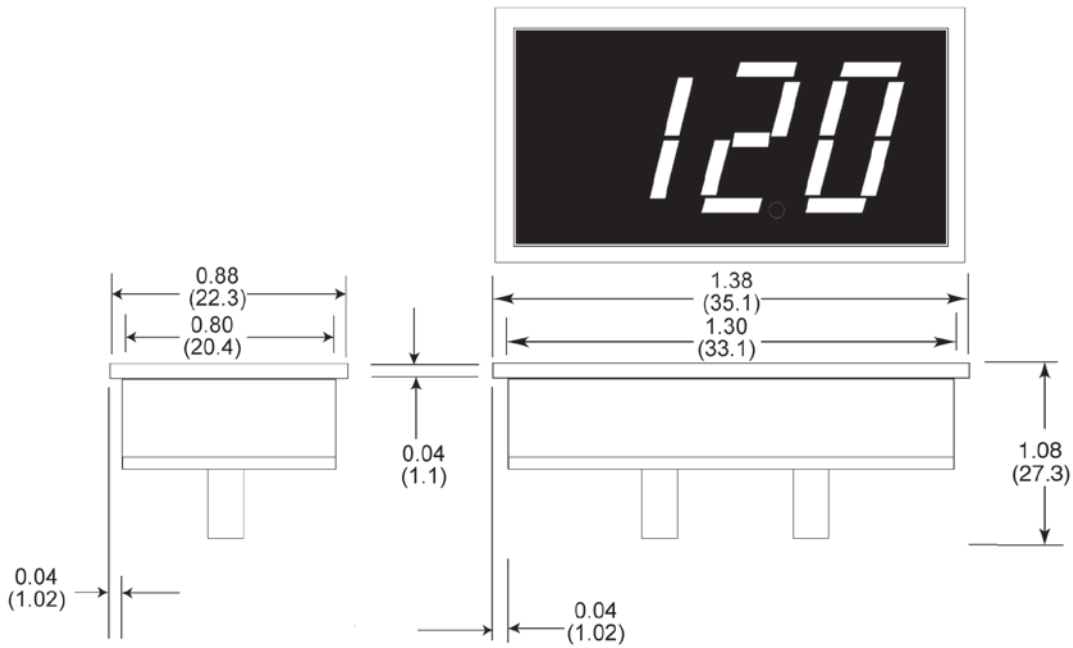


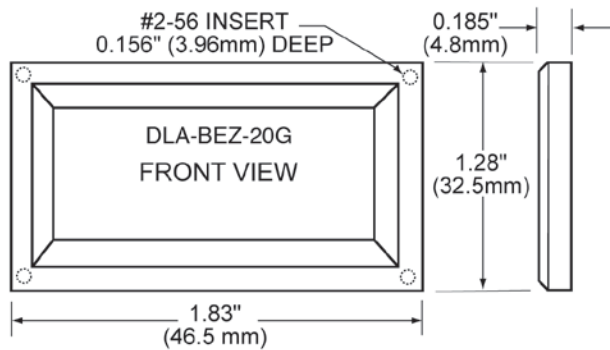
DLA20-LM Series Dimensions

Reference only

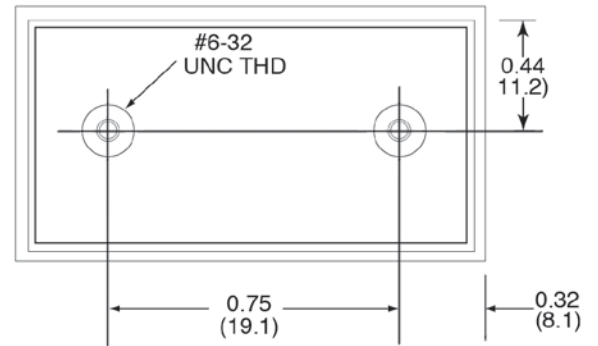
FRONT VIEW



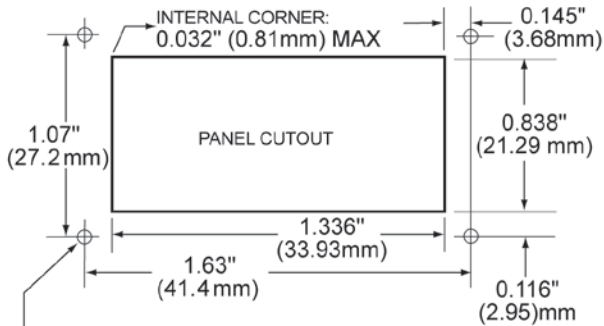
BEZEL ASSEMBLY



BACK VIEW



RECOMMENDED PANEL CUTOUT



0.093 (2.362) DIAMETER (4 REQUIRED)
ONLY WHEN USING BEZEL ASSEMBLY