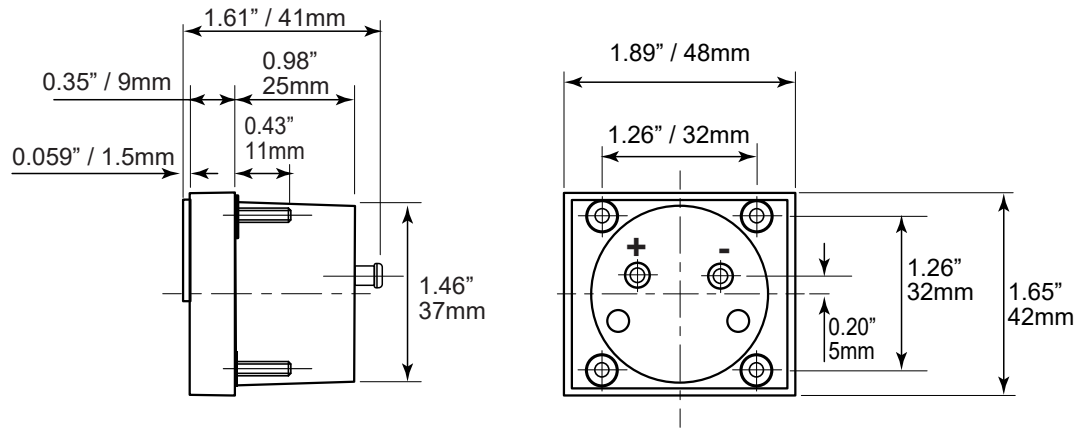


HST-38N Dimensional Drawing Reference only



Panel Cut-Out

